



کانون ابزار

تلفن :

021 66 39 39 00

0912 147 3023

ali5.ir

EL - ER 58 F / G
EL - ER 63 F / G

BLIND HOLLOW SHAFT INCREMENTAL ENCODER

Specifications

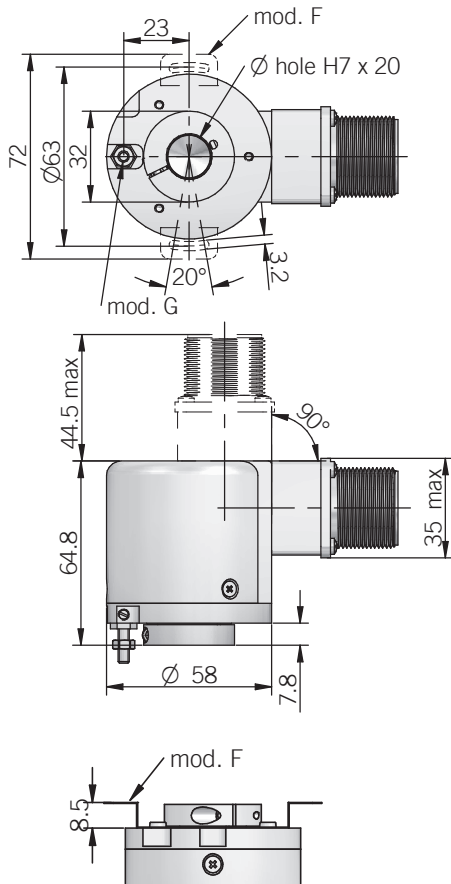
Hollow shaft encoder series for industrial applications with high mechanical resistance requirements. These encoders are designed to withstand high radial and axial shaft loads.



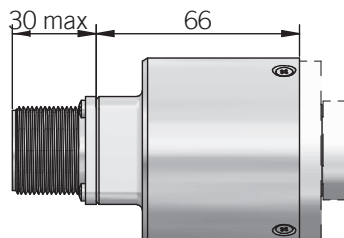
- 3 channel encoder (A / B / Z) up to 24000 ppr
- Power supply up to +28 VDC with several electronic interfaces available
- Up to 500 kHz output frequency
- Cable or connector output
- Available with metal cover for heavy duty applications
- Blind hollow shaft diameter up to 15 mm
- Mounting by stator coupling, spring or anti-rotation pin

ORDERING CODE	ER	58G	M*	500	S	5/28	N	8	X	3	P	R	.XXX
SERIES incremental encoder series EL incremental encoder series ER													
MODEL blind hollow shaft with stator coupling 58F blind hollow shaft with anti-rotation pin 58G blind hollow shaft with spring 63F blind hollow shaft with anti-rotation pin 63G													
METAL COVER * add for metal cover M													
RESOLUTION ppr from 1 to 24000 see table for pulses availability													
ZERO PULSE without zero pulse S with zero pulse Z													
POWER SUPPLY (with L electronic interface) 5 V DC 5 (with L or PC electronic interface) 8 ... 24 V DC 8/24 5 ... 28 V DC 5/28													
ELECTRONIC INTERFACE NPN N NPN open collector C push-pull P push-pull protected (AEIC-7272) PC line driver L power supply 5/28V - output RS-422 RS													
BORE DIAMETER mm 8 mm 10 mm 12 mm 14 mm 15													
ENCLOSURE RATING IP 54 X IP 66 S													
MAX ROTATION SPEED 3000 rpm 3													
OUTPUT TYPE cable (standard length 1,5 m)) P MIL connector M JIS-C-5432 connector J M12 connector M12 M23 connector H IP40 IEC 60130-9 connector C female connector included, without female please add 162 as variant code													
DIRECTION TYPE axial A radial R													
VARIANT custom version XXX													

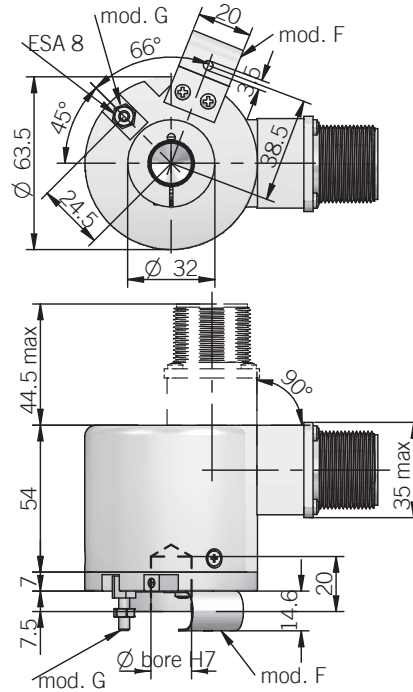
EL - ER 58 F / G



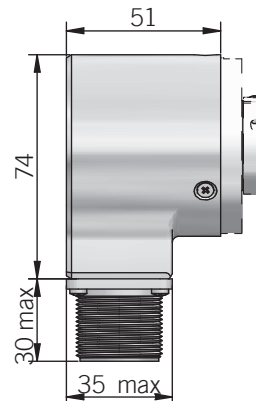
Dimensions with metal cover axial output



EL - ER 63 F / G



Dimensions with metal cover radial output



ELECTRICAL SPECIFICATIONS

Resolution	from 1 to 2500 ppr (58 G) from 1 to 24000 ppr (58 F - 63 F / G)
Power supply	5 = 4,5 ... 5,5 V DC 5/28 = 4,75 ... 29,4 V DC 8/24 = 7,6 ... 25,2 V DC (reverse polarity protection)
Power draw without load	800 mW
Max load current	N / C / P / PC = 50 mA / channel L / RS = 20 mA / channel
Output type*	NPN / NPN open collector / push-pull / line driver
Max output frequency	250 kHz up to 6000 ppr 500 kHz from 7200 ppr
Counting direction	A leads B clockwise (shaft view)
Electromagnetic compatibility	IEC 61000-6-2 IEC 61000-6-4

*output levels according to power supply, for further details please see under Technical basics section

EL SERIES RESOLUTIONS

1 - 2 - 4 - 5 - 10 - 15 - 16 - 20 - 25 - 30 - 32 - 40 - 50 - 60 - 70 - 80 - 90 - 160 - 180 - 350 - 450 - 660 - 700

ER SERIES RESOLUTIONS

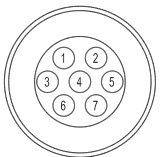
100 - 120 - 128 - 150 - 200 - 240 - 250 - 256 - 300 - **360** - 400 - 480 - **500** - **512** - **600** - 625 - **720** - 750 - 800 - 900 - **1000** - **1024** - 1200 - 1250 - 1440 - 1500 - 1600 - 1800 - **2000** - **2048** - **2500** - 3000 - **3600** - 4000 - 4096 - **5000** - 6000 - **7200** - 8000 - 8192 - 9000 - **10000** - 10240 - 12000 - **14400** - 16000 - 16384 - 18000 - **20000** - 20480 - 24000

please directly contact our offices for other pulses, preferred resolutions in bold

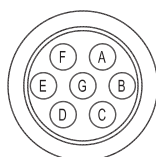
CONNECTIONS

Function	Cable output	Cable output	7 pin J output	7 pin J output	7 pin M output	7 pin M output	10 pin J output	10 pin M output	5 pin M12 output	8 pin M12 output	12 pin H output	5 pin C output	8 pin C output
	N / C / P / PC	Line driver	N / C / P / PC	Line Driver no Zero	N / C / P / PC	Line Driver no Zero	Line Driver with Zero	Line Driver with Zero	N / C / P / PC	Line Driver	CCW	N / C / P / PC	Line Driver
+V DC	red	red	6	4	F	D	4 - 5	D - E	2	7	12	5	7
0 V	black	black	1	6	A	F	6	F	4	1	10	1	8
Ch. A	green	green	3	1	C	A	1	A	3	6	5	2	1
Ch. A-	/	brown	/	3	/	C	7	G	/	5	6	/	2
Ch. B	yellow	yellow	5	2	E	B	2	B	1	4	8	4	3
Ch. B-	/	orange	/	5	/	E	8	H	/	3	1	/	4
Ch. Z	blue	blue	4	/	D	/	3	C	5	2	3	3	5
Ch. Z-	/	white	/	/	/	/	9	I	/	8	4	/	6
≡	shield	shield	7	7	G	G	10	J	housing	housing	9	/	/

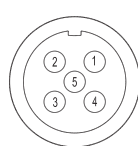
J connector (7 pin)
JIS-C-5432 Size 16
solder side view FV



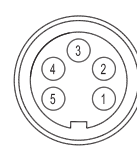
M connector (7 pin)
Amphenol MS3102-E-16-S
solder side view FV



M12 connector (5 pin)
M12 A coded
solder side view FV



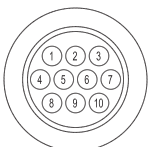
C connector (5 pin)
IEC 60130-9
solder side view FV



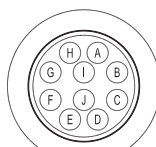
H connector (12 pin) - M23 CCW
Hummel 7.410.000000 -
7.002.912.603
solder side view FV



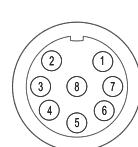
J connector (10 pin)
JIS-C-5432 Size 16
solder side view FV



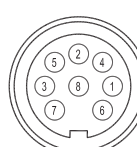
M connector (10 pin)
Amphenol MS3102-E-18-1
solder side view FV



M12 connector (8 pin)
M12 A coded
solder side view FV



C connector (8 pin)
IEC 60130-9
solder side view FV



كانون ابزار

تلفن:

02166 39 39 00

0912 147 3023

ali5.ir