

EMI 38 F / G
**MAGNETIC INCREMENTAL
BLIND HOLLOW SHAFT ENCODER**

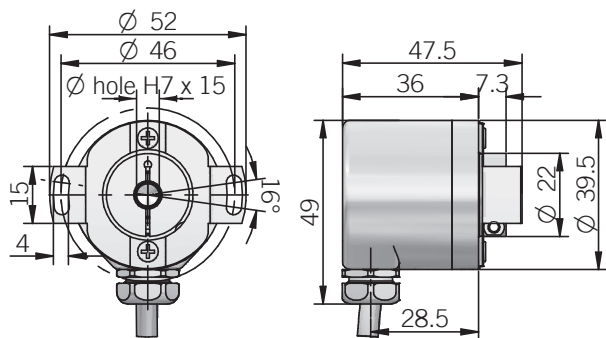
Specifications

Thanks to the magnetic technology, the EMI 38 series is suitable for harsh environment applications such as marble and glass working machines, washing systems and generally for industrial automation.

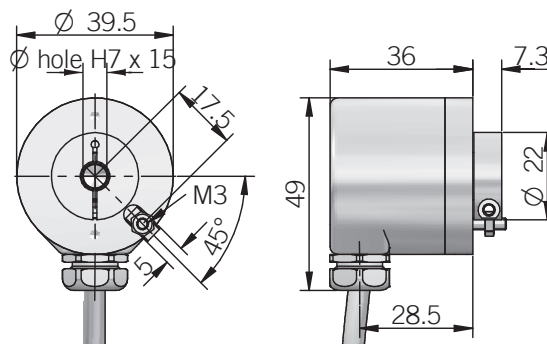
- 3 channel encoder (A / B / Z) up to 2048 ppr
- Power supply up to +28 VDC with several electronic interfaces available
- Cable output, connector available on cable end
- Compact dimensions
- Blind hollow shaft diameter up to 10 mm with shaft fixing by collar clamping
- Sturdy construction due to separated chambers design
- Wide operating temperature -25° ... +100°C (-13° ... +212°F)

ORDERING CODE	EMI	38F	1024	Z	5	L	6	X	6	PR	.XXX
SERIES magnetic incremental encoder series EMI											
MODEL blind hollow shaft with stator coupling 38F blind hollow shaft with antirotation pin 38G											
RESOLUTION ppr from 2 to 2048 see table for pulses availability											
ZERO PULSE without zero pulse S with zero pulse Z											
POWER SUPPLY (with L electronic interface) 5 V DC 5 (with L or PC electronic interface) 8 ... 24 V DC 8/24 5 ... 28 V DC 5/28											
ELECTRONIC INTERFACE push-pull P push-pull protected (AEIC-7272) PC line driver L											
SHAFT DIAMETER mm 6 mm 8 9,52 (3/8") mm 9 mm 10											
ENCLOSURE RATING IP 64 X IP 66 S											
MAX ROTATION SPEED (IP 66) 3000 rpm 3 (IP 64) 6000 rpm 6											
OUTPUT TYPE cable radial (standard length 0,5 m) PR											
VARIANT custom version XXX											

EMI 38 F



EMI 38 G



ELECTRICAL SPECIFICATIONS

Resolution	from 2 to 2048 ppr
Power supply	5 = 4,5 ... 5,5 V DC 5/28 = 4,75 ... 29,4 V DC 8/24 = 7,6 ... 25,2 V DC (reverse polarity protection)
Current consumption without load	80 mA max
Max load current	15 mA / channel
Output type*	push-pull / line driver
Max output frequency	205 kHz
Counting direction	A leads B clockwise (shaft view)
Accuracy	± 0,35° typical / ± 0,50° max
Electromagnetic compatibility	IEC 61000-6-2 IEC 61000-6-4

*output levels according to power supply, for further details please see under Technical basics section

RESOLUTIONS

2 - 4 - 8 - 10 - 16 - 20 - 32 - 40 - 64 - 80 - 100 - 125 - 128 - 200 - 250 - 256 - 400 - 500 - 512 - 1024 - 2048

CONNECTIONS

Function	Cable output Push-pull	Cable output Line driver
+V DC	red	red
0 V	black	black
Ch. A	green	green
Ch. A-	/	brown
Ch. B	yellow	yellow
Ch. B-	/	orange
Ch. Z	blue	blue
Ch. Z-	/	white
⊥	shield	shield

MECHANICAL SPECIFICATIONS

Shaft diameter	ø 6* / 8* / 9,52 (3/8") / 10 mm
Enclosure rating	X = IP 64 (IEC 60529) S = IP 66 (IEC 60529)
Max rotation speed	3000 rpm (IP 66) 6000 rpm (IP 64)
Max shaft load	5 N axial / radial
Shock	50 G, 11 ms (IEC 60068-2-27)
Vibration	10 G, 10 ... 2000 Hz (IEC 60068-2-6)
Moment of inertia	0,25 x 10 ⁻⁶ kgm ²
Starting torque (at +20°C / +68°F)	< 0,02 Nm
Fixing torque for collar clamping	0,6 Nm recommended
Body material	EN-AW 2011 aluminum
Shaft material	1.4305 / AISI 303 stainless steel
Housing material	painted aluminum
Bearings	2 ball bearings
Bearing lifetime	10 ⁹ revolutions
Operating temperature	-25° ... +100°C (-13° ... +212°F)
Storage temperature	-25° ... +85°C (-13° ... +185°F)
Weight	150 g (5,29 oz)

کانون ابزار

تلفن:

021 66 39 39 00

0912 147 3023

ali5.ir

tel: +421 552 601 099

e-mail: info@eltra-trade.com