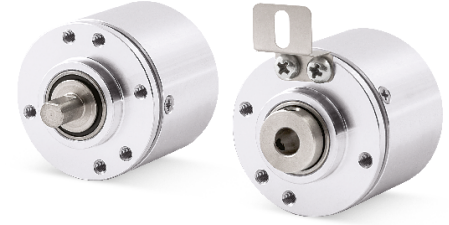




- Compact magnetic incremental encoder
- Resolution up to 2048 pulses/rev.
- Ø 6 mm solid or hollow shaft
- IP67 with sealed circuits (optional)



MI36 • MC36

#### ENVIRONMENTAL SPECIFICATIONS

Shock:	250 g, 6 ms acc. to CEI EN 60068-2-27
Vibrations:	10 g, 5-2000 Hz acc. to CEI EN 60068-2-6
Protection:	IP65
Operating temperature range:	-25°C +85°C (-13°F +185°F)
Storage temperature range:	-25°C +85°C (-13°F +185°F) (98% R.H. without condensation)
Option:	• IP67 protection with sealed circuits

#### MECHANICAL SPECIFICATIONS

Dimensions:	see drawing
Shaft diameter:	Ø 6 mm
Shaft loading (axial, radial):	20 N max.
Shaft rotational speed:	12000 rpm max.
Starting torque (at 20°C):	0,1 Ncm (typical)
Bearings life:	10 <sup>9</sup> rev. min.
Electrical connections:	cabl output 1 m (3.3 ft)
Weight:	~ 50 g (1,7 oz)
Option:	• additional cabl

#### ELECTRICAL SPECIFICATIONS

Resolution (PPR):	4-8-10-16-20-25-32-40-50-64-80-100-125-128 200-250-256-400-500-512-1024-2048
Accuracy:	± 1°
Counting frequency:	300 kHz max.
Output circuits:	NPN, Push-Pull, Line Driver
Power supply:	5Vdc ±5%, +10Vdc +30Vdc
Consumption:	50 mA max.
Output current (each channel):	40 mA max.
Protection:	against inversion of polarity and short-circuit (except L circuit)
EMC:	electro-magnetic immunity, according to: EN 61000-4-2 EN 61000-4-4

#### MATERIALS

Flange:	anticorodal, UNI EN AW-6082
Housing:	anticorodal, UNI EN AW-6082
Bearings:	ABEC 5
Shaft:	stainless steel, non magnetic, UNI EN 4305

**كانون ابزار**

**تلفن :**

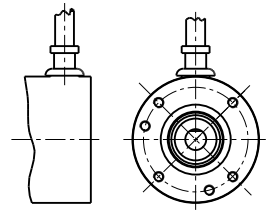
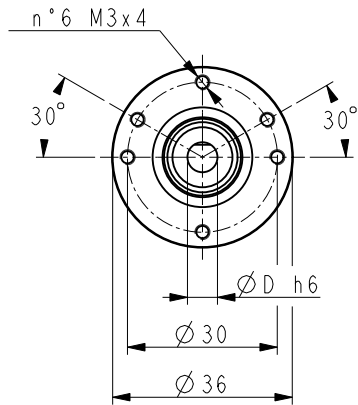
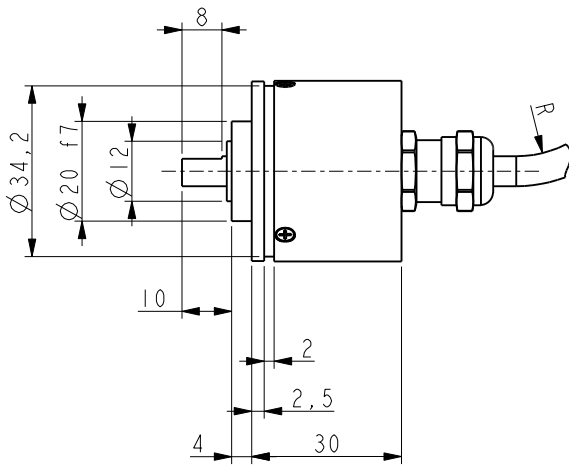
**021 66 39 39 00**

**0912 147 3023**

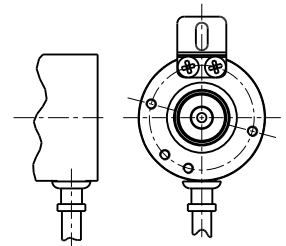
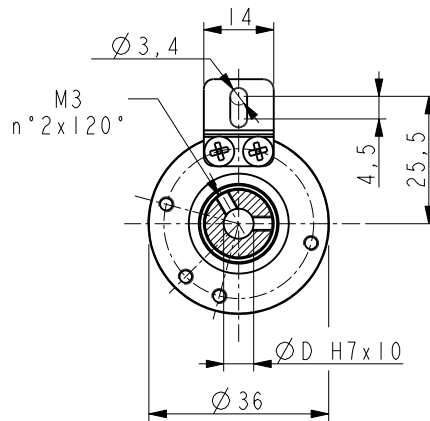
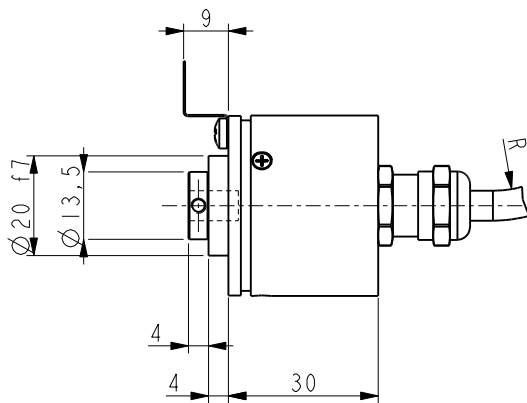
**ali5.ir**

#### ACCESSORIES

PAN-6:	Aluminium coupling
PGF-6:	Flexible coupling



MI36



MC36

**کانون ابزار**

**تلفن :**

**021 66 39 39 00**

**0912 147 3023**

**ali5.ir**

Order code

MI36	-	X	-	XXXX	XXX	X	X	X	X	XX	/Sxxx
MC36		(a)		(b)	(c)	(d)	(e)	(f)	(g)	(h)	(i)

**(a) OUTPUT CIRCUITS**

N = NPN o.c.  
Y = Push Pull  
L = Line Driver (RS422)

**(b) RESOLUTION (PPR)**

See electrical specifications

**(c) OUTPUT SIGNALS**

BNF = AB  
BCU = AB, /AB  
ZNF = ABO  
ZCU = ABO, /ABO

**(d) SUPPLY VOLTAGE**

1 = +5V±5% (L output circuit)  
2 = +10V± +30V (Y or N output circuit)

**(e) SHAFT DIAMETER**

6 = 6 mm

**(f) CONNECTION POSITION**

- = axial  
R = radial

**(g) PROTECTION**

- = IP65  
J = IP67 with sealed circuits

**(h) CABLE LENGTH**

- = cable output 1 m (standard)  
L2 = cable output 2 m  
Lx = cable output x m

**(i) CUSTOM VERSION**