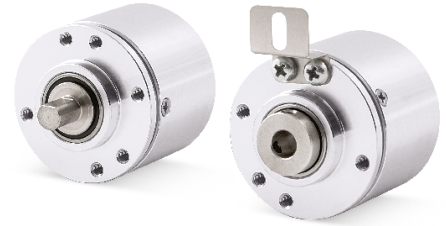




- Compact magnetic encoders
- Stainless steel housing for the food industry
- IP67 protection with sealed circuits (option)



MI36K • MC36K

#### ENVIRONMENTAL SPECIFICATIONS

Shock:	250 g, 6 ms acc. to CEI EN 60068-2-27
Vibrations:	10 g, 5-2000 Hz acc. to CEI EN 60068-2-6
Protection:	IP65
Operating temperature range:	-25°C +85°C (-13°F +185°F)
Storage temperature range:	-25°C +85°C (-13°F +185°F) (98% R.H. without condensation)
Option:	• IP67 protection with sealed circuits

#### MECHANICAL SPECIFICATIONS

Dimensions:	see drawing
Shaft diameter:	Ø 6 mm
Shaft loading (axial and radial):	20 N max.
Shaft rotational speed:	12000 rpm max.
Starting torque (at 20°C):	0,1 Ncm (typical)
Bearings life:	10 <sup>9</sup> rev. min.
Electrical connections:	cable output 1 m (3.3 ft)
Weight:	~ 50 g (1,7 oz)
Option:	• additional cable

#### ELECTRICAL SPECIFICATIONS

Resolution (PPR):	4-8-10-16-20-25-32-40-50-64-80-100-125-128 200-250-256-400-500-512-1024-2048
Accuracy:	± 1°
Counting frequency:	300 kHz max.
Output circuits:	NPN, Push-Pull, Line Driver
Power supply:	5Vdc ±5%, +10Vdc +30Vdc
Consumption:	50 mA max.
Output current (each channel):	40 mA max.
Protection:	against inversion of polarity and short-circuit (except L circuit)
EMC:	electro-magnetic immunity, according to: EN 61000-4-2 EN 61000-4-4

#### MATERIALS

Flange:	AISI 303 stainless steel
Housing:	AISI 303 stainless steel
Bearings:	ABEC 5
Shaft:	AISI 303 stainless steel

**کانون ابزار**

**تلفن :**

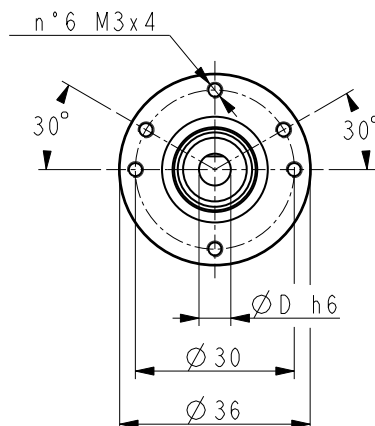
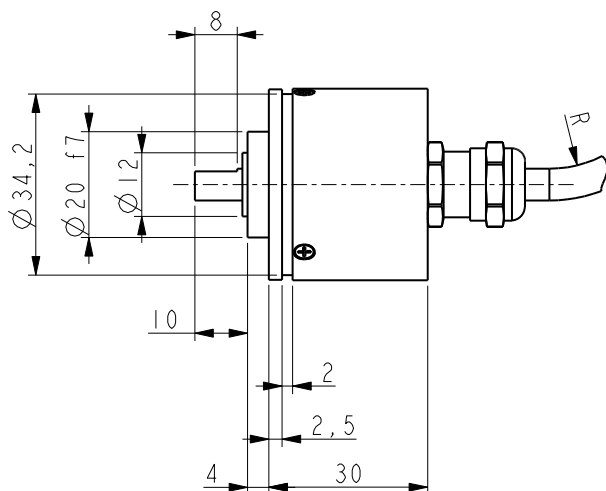
**021 66 39 39 00**

**0912 147 3023**

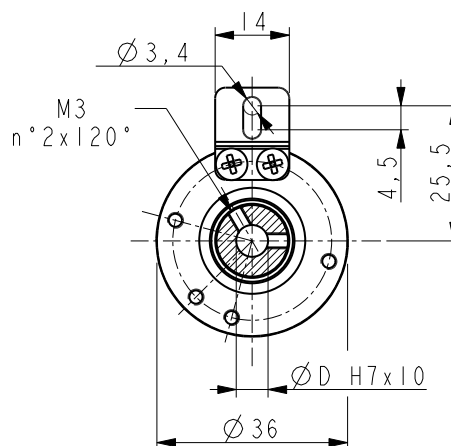
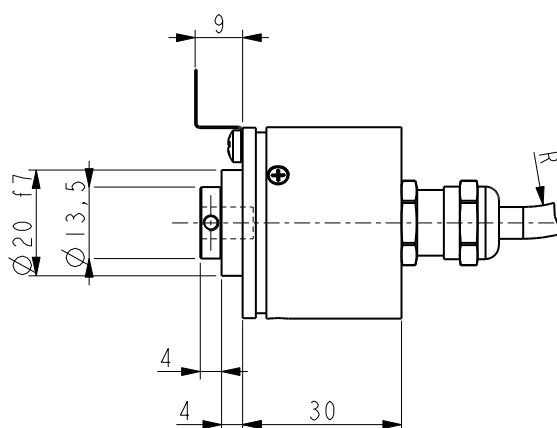
**ali5.ir**

#### ACCESSORIES

MST5-16-6-6:	Stainless steel coupling
--------------	--------------------------



MI36K



MC36K

# کانون ابزار

تلفن :

021 66 39 39 00

0912 147 3023

ali5.ir

Order code

MI36K MC36K	-	X a	-	XXXX b	XXX c	X d	X e	X f	X g	XX h	/Sxxx i
----------------	---	--------	---	-----------	----------	--------	--------	--------	--------	---------	------------

**a OUTPUT CIRCUITS**

N = NPN  
Y = Push Pull  
L = Line Driver (RS422)

**b RESOLUTION (PPR)**

See electrical specifications

**c OUTPUT SIGNALS**

ZNF = ABO  
ZCU = ABO, /ABO

**d SUPPLY VOLTAGE**

1 = +5V±5% (L output circuit)  
2 = +10V÷ +30V (Y or N output circuit)

**e SHAFT DIAMETER**

6 = 6 mm

**f CONNECTION POSITION**

- = axial

**g PROTECTION**

- = IP65  
J = IP67 with sealed circuits

**h CABLE LENGTH**

L1 = cable output 1 m (standard)  
L2 = cable output 2 m  
Lx = cable output x m

**i CUSTOM VERSION**