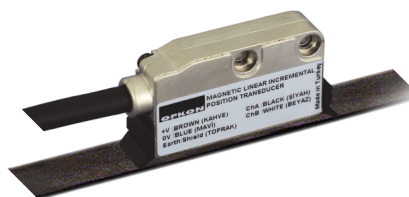


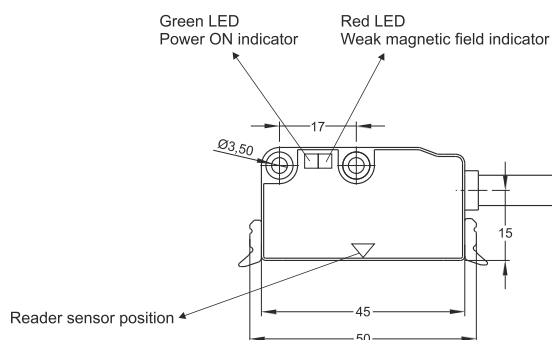
Magnetic Linear Incremental Encoder

- 2,5 / 5 / 10 / 12,5 / 20 / 25 μm resolution (other options on request)
- Magnetic contactless measurement
- Push-pull, TTL Linedriver or HTL Linedriver output options
- Single or Continues reference (optional)
- Weak magnetic field and power on LEDs
- IP 66 protection



Technical specifications

| | |
|------------------------|--|
| Type of measurement | Magnetic incremental non-contact |
| Resolution | 2,5 / 5 / 10 / 12,5/ 20 / 25 μm resolution (4x mode) |
| Accuracy | $\pm 15 \mu\text{m}$ |
| Output type | Push-Pull, TTL Linedriver, HTL Linedriver |
| Supply voltage | 8-24VDC (Standard), 5VDC (Optional) |
| Electrical connections | 2,5m cable (Standard), 1m cable with DB9 connector |
| Case material | Anodized aluminium |
| Max. speed | 3 m/s with LED indicator 15 m/s without LED indicator as optional |
| IP degree | IP 66 |
| Operating temperature | -20°C ... +80°C |
| Storage temperature | -30°C ... +90°C |



Linedriver Cable Output

Ch A : Black
Ch A inv. : Yellow
Ch B : White
Ch B inv. : Green
+V : Brown
0V : Blue
GND : Shield

Push-Pull Cable Output

Ch A : Black
Ch B : White
+V : Brown
0V : Blue
GND : Shield

فروشگاه کانون ابزار

تلفن : 021 66 39 39 00

موبایل : 0912 147 3023

www.ali5.ir

| Model | Resolution | Output type | Pole pitch | Output channels | Supply voltage | Connector / Cable |
|---------------|--|---|--------------------|--|-----------------------------|---|
| (example) MLI | T20 | LTP | 5 | B | V2 | 1M |
| MLI | T10 : 2,5 μm T20 : 5 μm T40 : 10 μm T50 : 12,5 μm T80 : 20 μm T100: 25 μm | LTP : Push-pull TT : TTL Linedriver HLD : High Linedriver | 5 : 5mm pole pitch | B : A, B 5Z : A, B, Z (Continues reference) | V1 : 5V DC V2 : 8-24V DC | 1M : 1 meter cable (standard) 2M5 : 2,5 meter cable 9C : 0,5 meter cable with 9 pin connector |