



فروشگاه کانون ابزار

ali5.ir

021 66 39 39 00 – 0912 147 30 23

## GENERAL FEATURES

- R1: 70° / R2: 70° electrical angle
- 325° mechanical angle
- 6 or 6.34 mm shaft diameter (optional others)
- 50.8 mm body diameter
- Potentiometric output
- $\pm 1\%$  linearity
- Long life up to 10 million movements
- IP54 protection

## APPLICATION FIELDS

- Textile machinery
- Automatic door control systems
- Automotive
- All kinds of control and measurement applications

## TECHNICAL FEATURES

### Electrical Data

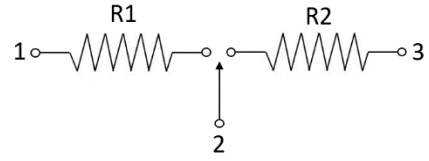
Electrical Angle	R1: 70° / R2: 70°
Independent Linearity	$\pm 1\%$
Repeatability	0.1° max.
Output Type	Resistive
Supply Voltage	42V max.
Resistance Values (R1/R2)	5K (R1=2.5K, R2=2.5K) or 10K (R1=5K, R2=5K)
Resistance Tolerance	$\pm 20\%$
Resistance Element	Conductive Plastic
Resolution	Infinite
Recommended Wiper Current	100 $\mu$ A max.
Minimum Life (electrical)	10 million movements
Electrical Connection	3x0,102 mm <sup>2</sup> soft PVC cable (standard 1m, optional others)

### Mechanical Data

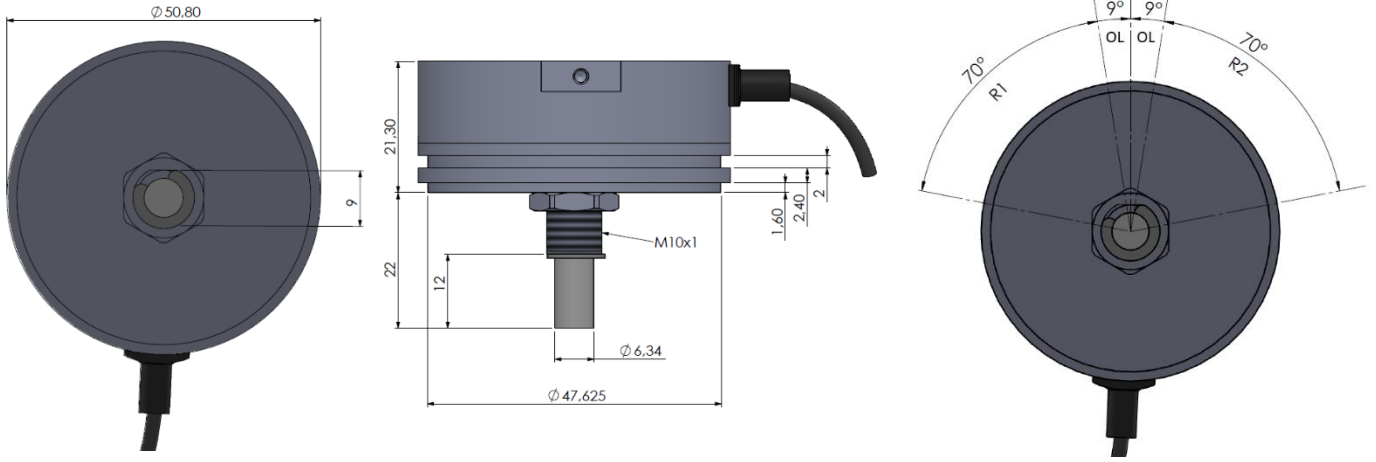
Dimensions	See mechanical dimensions table
Size	Servo size 20
Mechanical Angle	325°, mechanical limited
Torque	0.5 Ncm max.
Max. operating speed	300 RPM
Operating Temperature	-25°C ... +75°C
Storage Temperature	-25°C ... +105°C
Body Material	Aluminum
Shaft Material	Stainless steel
Protection	IP54
Weight	~80 gr

## ELECTRICAL CONNECTION

POTENTIOMETER CONNECTION	
SIGNAL	CABLE COLOR
R1	Black (1)
Output Signal	Yellow (2)
R2	Red (3)



## MECHANICAL DIMENSIONS (mm)



## ORDER CODE

Model		Resistance Value		Shaft Diameter	
RDP	-	XXX	-	XX	-
Body Diameter		Cable Length		Shaft Diameter	
050: 50.8 mm		1M: 1 meter (standard) *Optional others		6 : 6mm 6.34: 6.34mm *Optional others	

فروشگاه کانون ابزار  
ali5.ir

021 66 39 39 00 - 0912 147 30 23

Atek Elektronik Sensör Teknolojileri Sanayi ve Ticaret A.Ş.

Gebze OSB, 800. Sokak, No:814 Gebze/KOCAELİ/TÜRKİYE

Tel: +90 262 673 76 00

Fax: +90 262 673 76 08

www.ateksensor.com

info@ateksensor.com