



- Incremental Encoder Output A, B, Z, / A, / B, / Z
- Portable Reference Point
- Stroke Values up to 2000 mm
- Socket Building
- Perfect Retention System
- High Stability
- IP65 Protection Class
- Easy Installation
- Same Ruler Available Right or Left
- Compatible with Delem, Cybelec, ESA and STEP

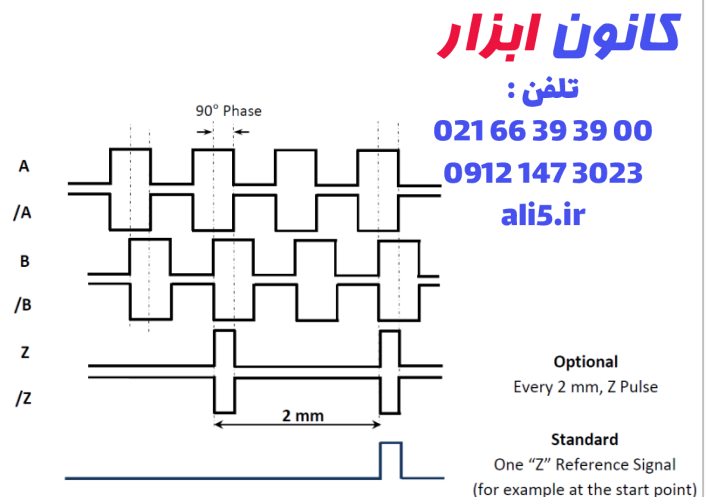
For measurements up to 2000 mm, it can be used to achieve the best performance in high speed and vibrating environments. Mounting points and designs reduce the most mistakes that can occur due to temperature changes. Special measures have been taken against the vibrations caused by the machine on the other side. Thanks to its ergonomic design, the cable output does not interfere with the ruler and works in perfect stability. The direction of the ruler can be easily changed by the user.

### Technical Specification

|                              |  |
|------------------------------|--|
| <b>Resolution</b>            | 5µm, 10µm, 25µm, 50 µm   |
| <b>Output Type</b>           | Push-Pull or TTL RS422 Line Driver   |
| <b>Output Signals</b>        | A, /A, B, /B, Z, /Z  |
| <b>Input Current</b>         | 40 mA/channel max.   |
| <b>Output Current</b>        | 40 mA/channel max.   |
| <b>Power Supply</b>          | PPL:10..30 VDC or TTL:5 VDC  |
| <b>Body Material</b>         | Aluminum   |
| <b>Magnetic Tape</b>         | B2   |
| <b>Operating Speed</b>       | 3 m/s  |
| <b>Repeatability</b>         | ± 1 Pulse  |
| <b>Operating Temperature</b> | -25 ile +85°   |
| <b>Electrical Connection</b> | 5 or 8 x 0,14 mm <sup>2</sup><br>D-Sub 9 Pin compatible with Delem, Cybelec, ESA |
| <b>Protection Class</b>      | IP65   |

### Electrical Connection

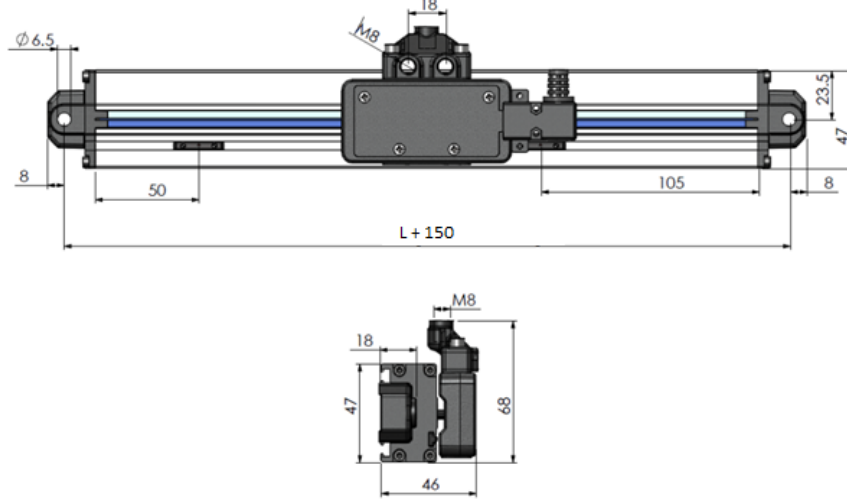
| SIGNAL | CABLE COLOR | D-SUB 9 PIN / SOCKET PIN NO |
|--------|-------------|-----------------------------|
| A      | Yellow      | 1                           |
| /B     | White       | 2                           |
| +V     | Red         | 3                           |
| 0V     | Black       | 4                           |
| /A     | Blue        | 5                           |
| B      | Green       | 6                           |
| /Z     | Grey        | 7                           |
| Z      | Pink        | 8                           |
| -      | Shield      | 9                           |



## Standard Stroke Lengths (L) (mm)

|      |      |      |      |      |      |      |      |      |      |
|------|------|------|------|------|------|------|------|------|------|
| 100  | 120  | 150  | 170  | 200  | 220  | 250  | 270  | 300  | 320  |
| 350  | 370  | 400  | 420  | 450  | 470  | 500  | 520  | 550  | 570  |
| 600  | 650  | 700  | 750  | 800  | 850  | 900  | 950  | 1000 | 1100 |
| 1200 | 1300 | 1400 | 1500 | 1600 | 1700 | 1800 | 2000 |      |      |

## Mechanical Dimensions



## Cable Length

**3M** : 3 meters  
**3.5M** : 3,5 meters  
**4M** : 4 meters  
**5M** : 5 meters  
**6M** : 6 meters  
**7M** : 7 meters  
**8M** : 8 meters  
**9M** : 9 meters  
**10M** : 10 meters  
**15M** : 15 meters  
 \* Please ask for other options

## Power Supply and Output

**TTL** : 5VDC Supply Voltage,  
 5 VDC TTL RS422 Line Driver Signal Output  
**PP** : 10...30 VDC Supply Voltage,  
 10...30 VDC Push-Pull Signal Output  
**HTL** : 10...30 VDC Supply Voltage,  
 5 VDC TTL RS422 Line Driver Signal Output  
**HPL** : 5...30 VDC Supply Voltage,  
 5...30 VDC Push-Pull Signal Output

## Measuring Stroke

See standard stroke lengths table, contact for other stroke lengths.

## Magnetic Tape

B2

|        |   |   |   |   |   |   |   |   |   |   |   |   |   |   |   |   |   |   |   |   |   |    |   |   |
|--------|---|---|---|---|---|---|---|---|---|---|---|---|---|---|---|---|---|---|---|---|---|----|---|---|
| MLC420 | - | X | X | - | X | X | - | X | X | X | - | X | - | X | X | - | X | - | X | X | X | mm | - | X |
|--------|---|---|---|---|---|---|---|---|---|---|---|---|---|---|---|---|---|---|---|---|---|----|---|---|

## Model

## Resolution

**05** : 5µm  
**10** : 10µm  
**25** : 25µm  
**50** : 50µm

## Signal Output Type

**2** : A, B  
**3** : A, B, Z  
**4** : A, /A, B, /B  
**6** : A, /A, B, /B, Z, /Z

Standard, single Z reference signal  
 Optional, Z signal at every 2 mm

## Sensor/Cable Type

C : PUR Cable

## LEFT / RIGHT

**L** : Left  
**R** : Right

# کانون ابزار

تلفن :

021 66 39 39 00

0912 147 3023

ali5.ir

Atek Elektronik Sensör Teknolojileri Sanayi ve Ticaret A.Ş.



Gebze OSB, 800. Sokak, No:814 Gebze/KOCAELİ/TURKEY  
 Tel: +90 262 673 76 00 Fax: +90 262 673 76 08  
[www.ateksensor.com](http://www.ateksensor.com) [info@ateksensor.com](mailto:info@ateksensor.com)