



## Mode: KH

Series: Aluminum alloy bellows coupling

Length: 30~57mm

Outside diameter: 16~55mm

Bore: 3~25mm

Application: CNC lathe, Printing Equipment, Metallurgical, textile equipment, Mechanical applications, Smart logistics

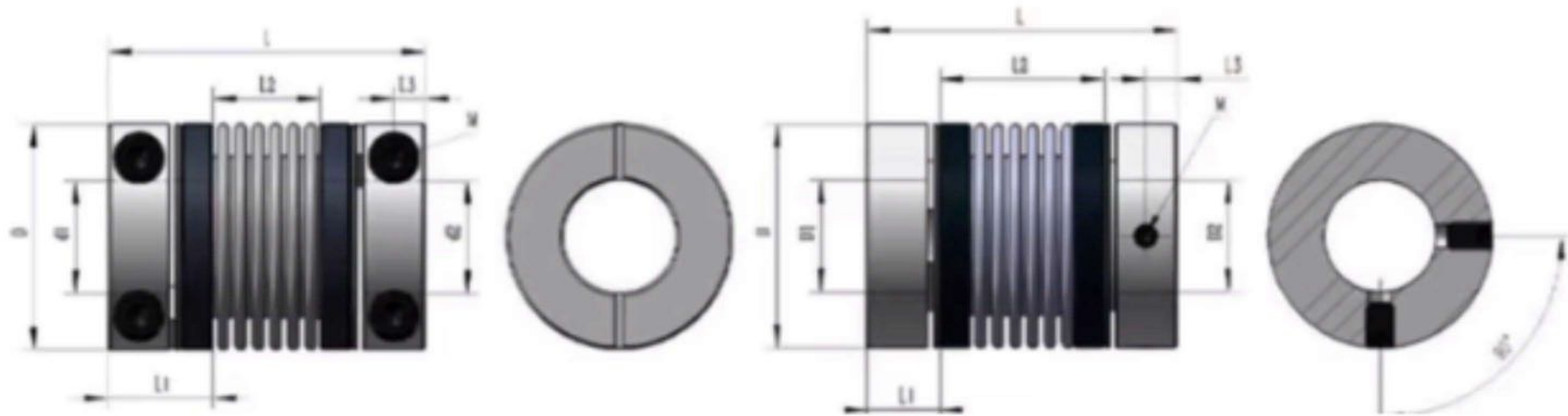
**KH - C/S - D16**

Model      Installation      Coupling Diameter

**8 - 8 - 30mm**

Inner aperture      Inner aperture      Length





Model	(N.m)	(N.m)	(r/min)	(kg.m <sup>2</sup> )	(mm)	(.)	(g)
KHC-D16L30	0.8	1.2	8500	8X10 <sup>-7</sup>	0.1	1.5	26
KHC-D20L34	1.8	2.7	7600	2.2X10 <sup>-6</sup>	0.15	2	39
KHC-D25L38	2	3.0	6000	6.9X10 <sup>-6</sup>	0.15	2	60
KHC-D32L48	2.5	3.8	4700	6.9X10 <sup>-6</sup>	0.2	2	114
KHC-D40L58	10	15.0	4200	2.1X10 <sup>-5</sup>	0.2	2	207
KHC-D55L72	22	33.0	3900	2.3X10 <sup>-5</sup>	0.2	2	472
KHC-D65L82	55	82.5	3500	3.7X10 <sup>-5</sup>	0.2	2	744
KHC-D82L100	70	105.0	3200	6X10 <sup>-5</sup>	0.2	2	1435
KHS-D16L27	0.8	1.2	15000	8X10 <sup>-7</sup>	0.1	1.5	25
KHS-D20L30	1.8	2.7	12000	2.2X10 <sup>-6</sup>	0.15	2	35
KHS-D25L34	2	3.0	12000	6.9X10 <sup>-6</sup>	0.15	2	55
KHS-D32L42	2.5	3.8	10000	6.9X10 <sup>-6</sup>	0.2	2	101
KHS-D40L50	10	15.0	9000	2.1X10 <sup>-5</sup>	0.2	2	180
KHS-D55L57	22	33.0	4500	2.3X10 <sup>-5</sup>	0.2	2	375