

# P SERIES

Kanooneabzar.com

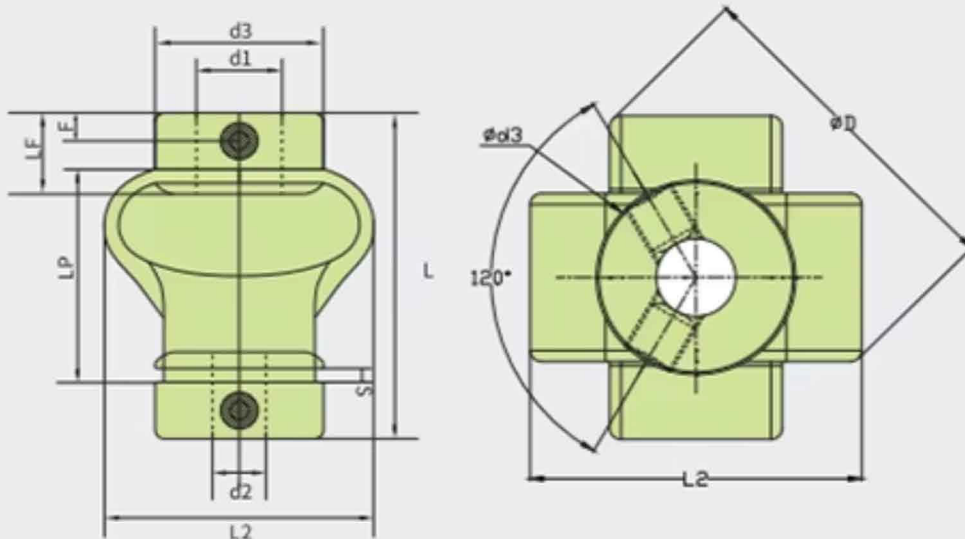
## Features

- Designed for encoder
- Softness very good, Super long life
- Elastomer use TPU, Anti-Oil, anti-Oxidation

Operating temperature range: -30 to 70 Degrees



**Example:** P-□□ × □□ - □□ × □□  
Series Diameter      d1Bore      d2Bore      Length



**Example:** P-30X36-6X8

30: The largest Diameter 30mm

36: Length 36mm

6: d1bore 6mm

8: d2bore 8mm

# Dimensions

Kanooneabzar.com

Unit: mm

Model	d3	L2	∅D	L	LF	LP	S	F	M	(N.M) Wrench Torque
CB-25x21	16	22	25	21	7.9	19.5	1.7	2.5	4-M3	0.7
Cb25x25	16	22	25	25	7.9	20	1.7	2.5	4-M3	0.7
CB-25x30	16	22	25	30	7.9	20	1.7	2.5	4-M3	0.7
CB-30x26	18	26	30	26	9.2	24	1.8	3.1	4-M4	1.7
CB-30x32	18	26	30	32	9.2	24	1.8	3.1	4-M4	1.7
CB-30x36	18	26	30	36	9.2	24.5	1.8	3.1	4-M4	1.7
CB-46x43	25	39	46	43	12.3	38	2.5	4	4-M4	1.7
CB-46x48	25	39	46	48	12.3	39.5	2.5	4	4-M4	1.7
CB-46-55	25	39	46	55	12.3	39.5	2.5	4	4-M4	1.7

# Specifications

Kanooneabzar.com

Model	Rated Torque	Allow Radial Direction	Allow Angle	Allow Axis	Maximum Speed	Static torsional stiffness	Moment of inertia	Assembly Methods	Bushings Material	Flexible Colloidal Material	Surface Treatment	Weight
CB-25x21	0.7	1	3	-2~+2	10000	15	$4.2 \times 10^{-7}$	anti-dressing	high Strength Aluminium Alloy	Super Tough Rubber	Oxidation Treatment	8
Cb25x25	0.7	1	3	-2.5~+2.5	10000	15	$4.2 \times 10^{-7}$	front and back installation				8
CB-25x30	0.7	1	3	-4~+3	10000	15	$4.2 \times 10^{-7}$	Fromal wear				8
CB-30x26	0.8	1	3	-2~+2	10000	20	$5.6 \times 10^{-7}$	anti-dressing				13
CB-30x32	0.8	1	3	-2.5~+2.5	10000	20	$5.6 \times 10^{-7}$	front and back installation				13
CB-30x36	0.8	1	3	-5~+3	10000	20	$5.6 \times 10^{-7}$	Fromal wear				13
CB-46x43	1.0	1	3	-4~+3	10000	25	$7 \times 10^{-7}$	anti-dressing				34
CB-46x48	1.0	1	3	-5~+3	10000	25	$7 \times 10^{-7}$	front and back installation				34
CB-46-55	1.0	1	3	-8~+4	10000	25	$7 \times 10^{-7}$	Fromal wear				34

