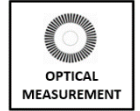
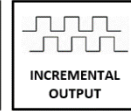


GENERAL SPECIFICATIONS

- Incremental measurement with optical principle
- 1024 pulse resolution
- 100 mm body diameter
- Hollow shaft options from 13 mm to 42 mm
- 300 KHz response frequency
- High accuracy
- Robust structure, long operating life
- IP54 protection class



ARC H 100 series rotary encoders measure with optical principle and operate incrementally. It offers 1024 pulse resolution per revolution.

Optionally different hollow diameters or cable lengths can be requested.

APPLICATIONS

- Wind Applications / Power Plants
- Marine or Utility Vehicle Applications
- Press or Wood and Stone Processing Machinery
- Construction Machinery
- Cranes
- Offshore Applications
- Commercial Solar Plants
- Filling Plants
- Food & Beverage Applications
- Oil & Gas - Pipe Handling and Cranes



TECHNICAL SPECIFICATIONS

Resolution	1024 pulse						
Measuring Type	Optical						
Response Frequency	300 KHz						
Current	50 mA nominal						
Electrical Interface		PP	TTL	HTL	HPL	OCL	OCP
	Supply	10...30 VDC	5 VDC	10...30 VDC	5...30 VDC	The supply signal should not be lower than the output signal	
	Output	10...30 VDC PP	5 VDC TTL	5 VDC TTL	5...30 VDC PP	NPN Open Collector	PNP Open Collector
Output Signals	A, /A, B, /B, Z, /Z						
Output Current	100 mA max. (per channel)						
Electrical Connection	5 or 8x0,14 mm ² shielded cable						
Body Diameter	100 mm						
Hollow Diameter	Options from 13 mm to 42 mm						
Operating	-25...+85 °C						
Storage Temperature	-40...+100 °C						
IP Protection Class	IP54						
Material	Body: Aluminum Shaft: Aluminum						

کانون ابزار

تلفن :

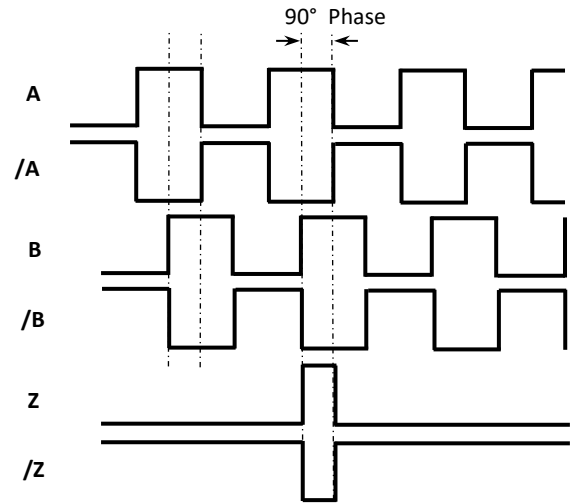
021 66 39 39 00

0912 147 3023

ali5.ir

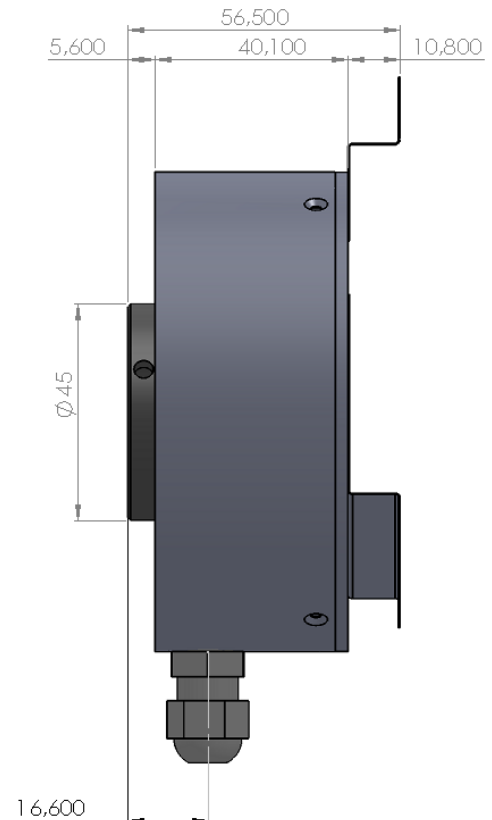
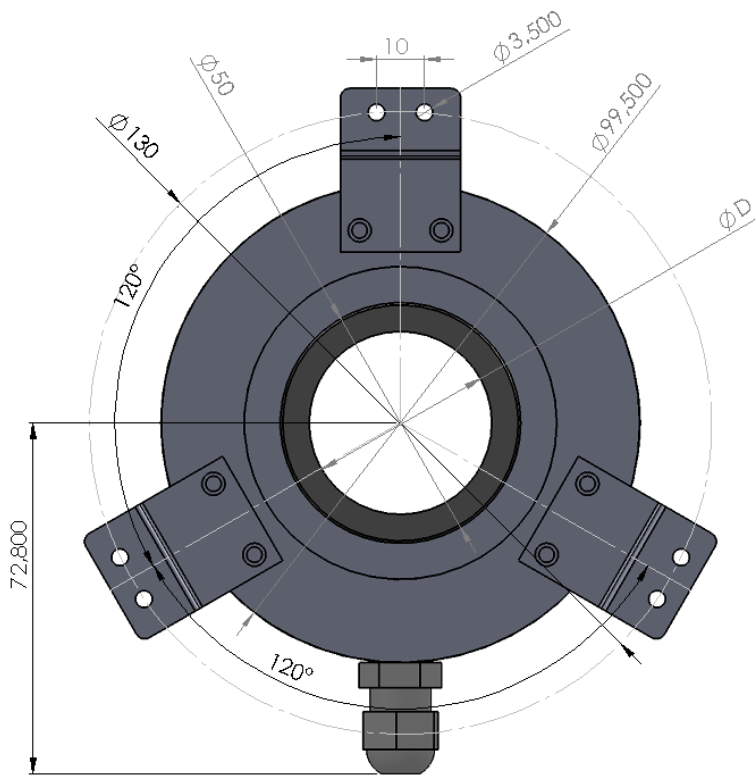
ELECTRICAL CONNECTIONS

SIGNAL	CABLE COLOR
A	YELLOW
/B	WHITE
+V	RED
0 V	BLACK
/A	BLUE
B	GREEN
/Z	GREY
Z	PINK



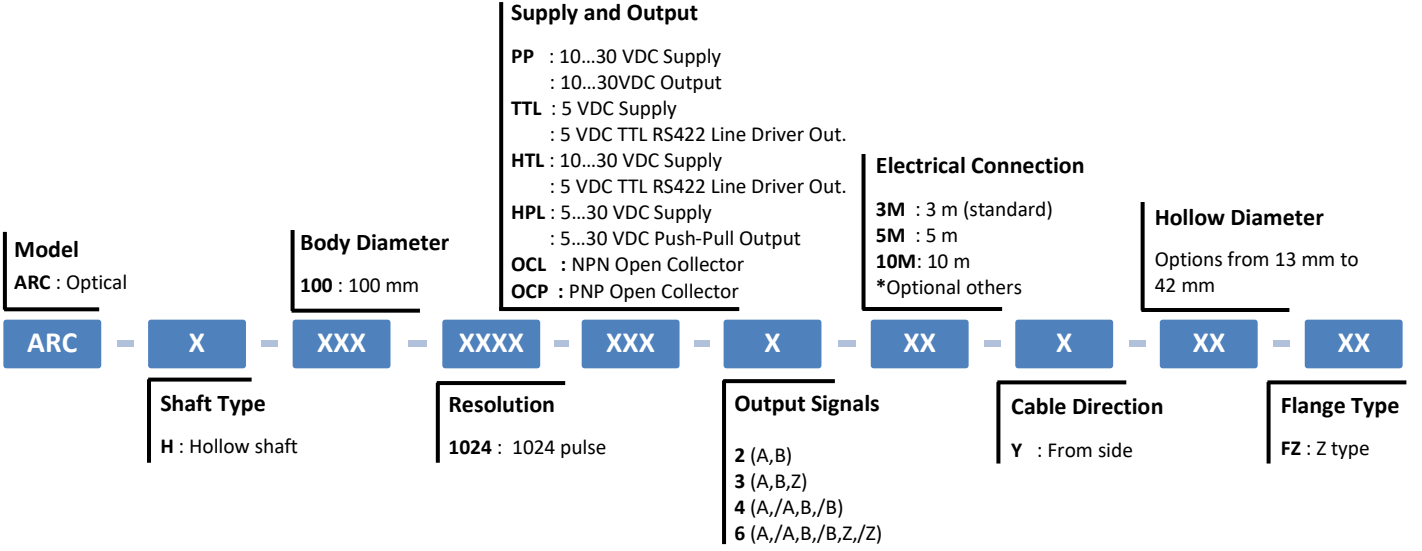
The table above shows the cable colors of the sensor output signals. If the control circuit is suitable in the Line Driver sensors of the not output signals (/A, /B, /Z) have to be added to the system. If it is not suitable /A, /B, /Z signal cables must be fixed as insulated separately. Don't forget that these edges have electricity too.

MECHANICAL DIMENSIONS (mm)



$\varnothing D$ Options between 13mm ... 42mm

PRODUCT CODE



Sample Coding:

ARC-H-100-1024-PP-6-3M-Y-32-FZ

Optical, hollow shaft, 100 mm body diameter, 1024 pulse, Push-Pull, 6 output signals, 3 meters cable from side, 32 mm hollow shaft, Z flange

کانون ابزار


تلفن :


021 66 39 39 00


0912 147 3023

ali5.ir

Atek Elektronik Sensör Teknolojileri Sanayi ve Ticaret A.Ş.

 Gebze OSB, 800. Sokak, No:814 Gebze/KOCAELİ/TURKEY

 Tel: +90 262 673 76 00

 Fax: +90 262 673 76 08

 www.ateksensor.com

 info@ateksensor.com