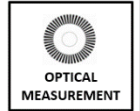
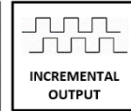




### GENERAL SPECIFICATIONS

- Incremental measurement with optical principle
- Resolution up to 20.000 pulse
- 58 mm body diameter
- 10 mm, 12 mm or 14 mm hollow shaft options
- Operating speed up to 6000 RPM
- 300 KHz response frequency
- High accuracy
- Robust structure, long operating life
- IP54 protection class



ARC H 58 series rotary encoders measure with optical principle and operate incrementally. It offers resolution up to 20.000 pulses per revolution.

Optionally different hollow diameters, flange types or cable lengths can be requested.

### APPLICATIONS

- Wind Applications / Power Plants
- Marine or Utility Vehicle Applications
- Press or Wood and Stone Processing Machinery
- Construction Machinery
- Cranes
- Offshore Applications
- Commercial Solar Plants
- Filling Plants
- Food & Beverage Applications
- Oil & Gas - Pipe Handling and Cranes



### TECHNICAL SPECIFICATIONS

<b>Resolution</b>	Resolution options up to 20.000 pulse						
<b>Operating Speed</b>	6000 RPM max.						
<b>Measuring Type</b>	Optical						
<b>Response Frequency</b>	300 KHz						
<b>Current Consumption</b>	50 mA nominal						
<b>Electrical Interface</b>		<b>PP</b>	<b>TTL</b>	<b>HTL</b>	<b>HPL</b>	<b>OCL</b>	<b>OCP</b>
	<b>Supply</b>	10...30 VDC	5 VDC	10...30 VDC	5...30 VDC	The supply signal should not be lower than the output signal	
	<b>Output</b>	10...30 VDC PP	5 VDC TTL	5 VDC TTL	5...30 VDC PP	NPN Open Collector	PNP Open Collector
<b>Output Signals</b>	A, /A, B, /B, Z, /Z						
<b>Output Current</b>	100 mA max. (per channel)						
<b>Electrical Connection</b>	5 or 8x0,14 mm <sup>2</sup> shielded cable						
<b>Body Diameter</b>	58 mm						
<b>Hollow Diameter</b>	10 mm, 12 mm or 14 mm						
<b>Operating Temperature</b>	-25...+85 °C						
<b>Storage Temperature</b>	-40...+100 °C						
<b>IP Protection Class</b>	IP54						
<b>Material</b>	Body: Aluminum						
	Shaft: Stainless Steel						

کانون ابزار

تلفن:

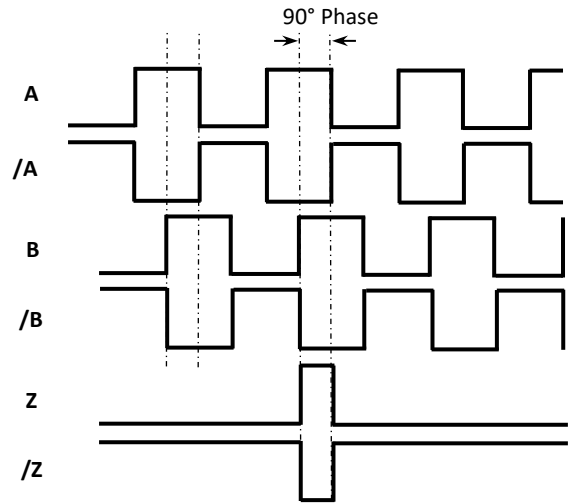
021 66 39 39 00

0912 147 3023

ali5.ir

## ELECTRICAL CONNECTIONS

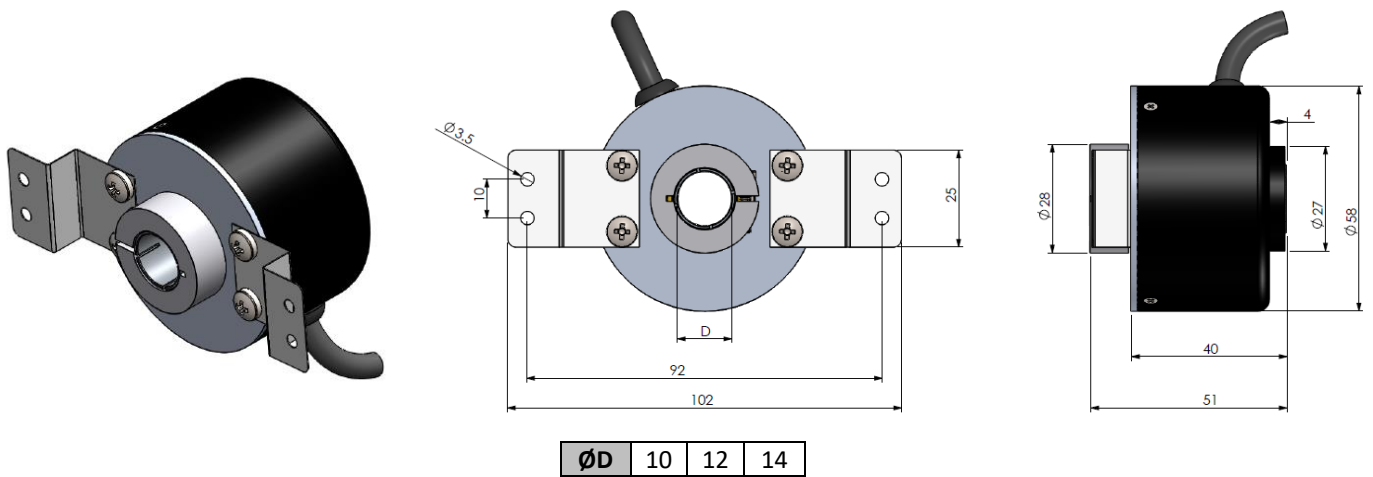
SIGNAL	CABLE COLOR
A	YELLOW
/B	WHITE
+V	RED
0 V	BLACK
/A	BLUE
B	GREEN
/Z	GREY
Z	PINK



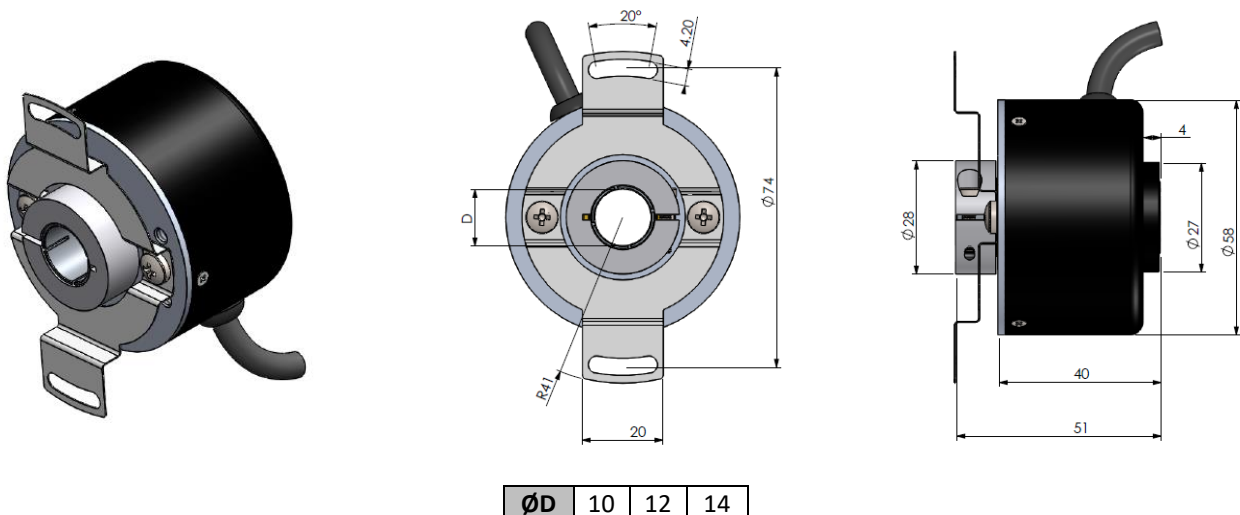
The table above shows the cable colors of the sensor output signals. If the control circuit is suitable in the Line Driver sensors of the not output signals (/A, /B, /Z) have to be added to the system. If it is not suitable /A, /B, /Z signal cables must be fixed as insulated separately. Don't forget that these edges have electricity too.

## MECHANICAL DIMENSIONS (mm)

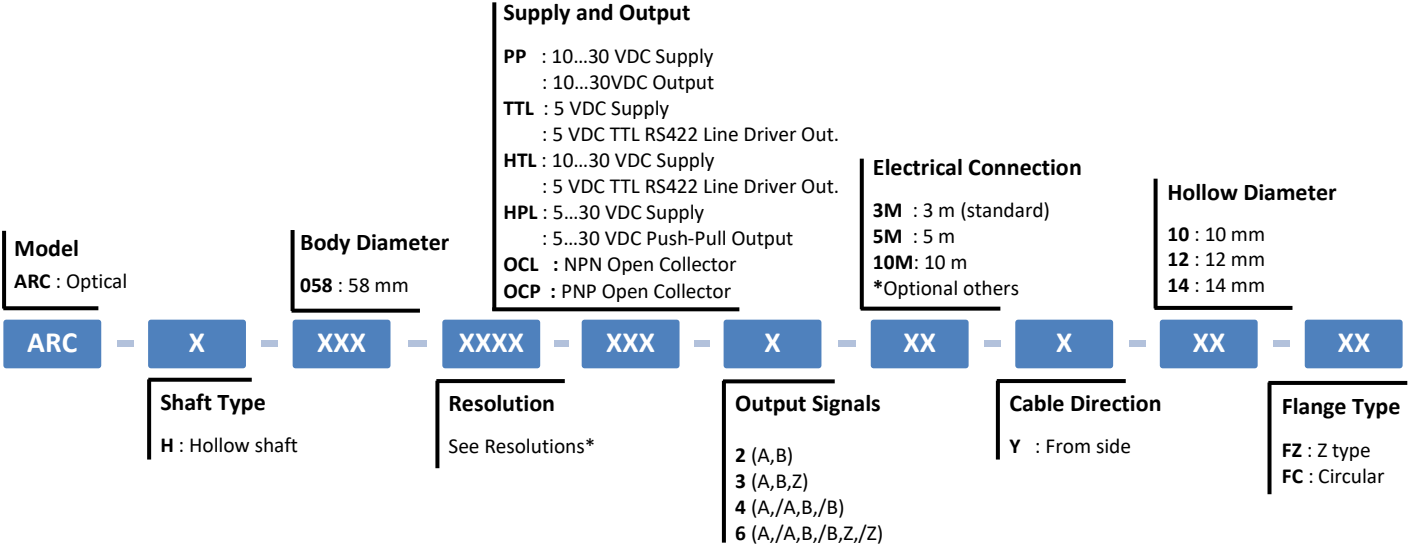
### FZ FLANGE



### FC FLANGE



## PRODUCT CODE



### Resolutions:

1024 – 4096 – 5000 – 8192 – 10000 – 16384 - 20000 pulse

### Sample Coding:

**ARC-H-058-1024-PP-6-3M-Y-14-FC**

Optical, hollow shaft, 58 mm body diameter, 1024 pulse, Push-Pull, 6 output signals, 3 meters cable from side, 14 mm hollow shaft, circular flange

# کانون ابزار

## تلفن:

### 02166 39 39 00

### 0912 147 3023

### ali5.ir

Atek Elektronik Sensör Teknolojileri Sanayi ve Ticaret A.Ş.



Gebze OSB, 800. Sokak, No:814 Gebze/KOCAELİ/TURKEY



Tel: +90 262 673 76 00



Fax: +90 262 673 76 08



[www.ateksensor.com](http://www.ateksensor.com)



[info@ateksensor.com](mailto:info@ateksensor.com)