



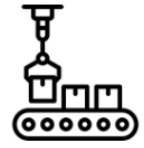
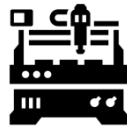
GENERAL FEATURES

- Non-contact measurement with magnetic principle
- Incremental output
- 58 mm body diameter
- 6 mm, 8 mm or 10 mm shaft options
- Resolution options between 1 pulse and 1024 pulses
- 3000 RPM operating speed
- Heavy environmental conditions and vibration resistant, IP67 protection class
- High sensitivity
- Robust structure, long service life

ARK S 58 series rotary encoders measure with magnetic principle and work contactless. They give incremental digital pulse signal output. They have different resolution values between 1 pulse and 1024 pulses. With their high IP67 protection class, they can work in harsh environmental conditions. Optionally, different cable length, socket model and shaft diameter can be requested.

APPLICATION FIELDS

- Wind Applications / Power Plants
- Marine or Utility Vehicle Applications
- Press or Wood and Stone Processing Machinery
- Construction Machinery
- Cranes
- Offshore Applications
- Servo-motors
- Packaging and production lines
- Automation and robots
- Commercial Solar Plants

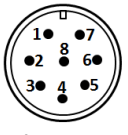




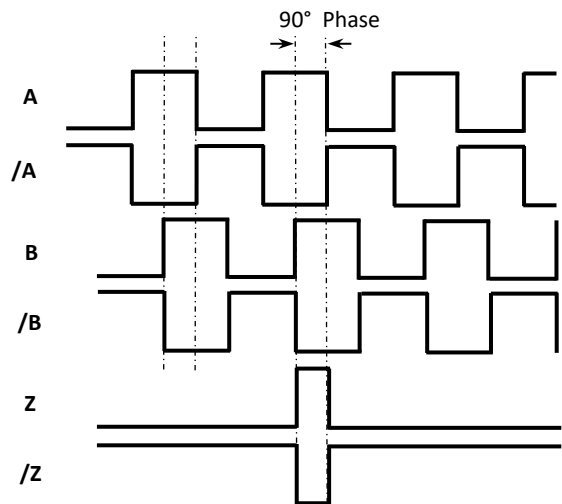
TECHNICAL SPECIFICATIONS

Max. Operating Speed	3000 RPM	<h1>کانون ابزار</h1> <p>تلفن :</p> <p>021 66 39 39 00</p> <p>0912 147 3023</p> <p>ali5.ir</p>
Measuring Type	Magnetic, non-contact	
*Resolution	All resolution values between 1 and 1024 pulses	
*Supply Voltage	TTL: 5 VDC PP: 10...30VDC	
Current Consumption	50 mA nominal	
*Output Type	Push pull, TTL Line Driver, Open Collector	
*Output Signals	A, /A, B, /B, Z, /Z	
Operating Temperature	-25...+85 °C	
Storage Temperature	-40...+85 °C	
*Electrical Connection	M16 socket 5 x 0,14mm ² shielded cable (outer diameter: 5 ±0,2 mm) (When output signal is selected as 2 or 3) 8 x 0,14mm ² shielded cable (outer diameter: 6,5 ±0,2 mm) (When output signal is selected as 4 or 6)	
*Shaft Diameters	6 mm, 8 mm or 10 mm	
Protection Class	IP67	
Weight	~330 gr	
Material	Body: Aluminium	
	Shaft: Stainless Steel	

Note: The specifications indicated by (*) vary according to the model selected. The detailed code table for product selection is shown on page 3.

ELECTRICAL CONNECTION

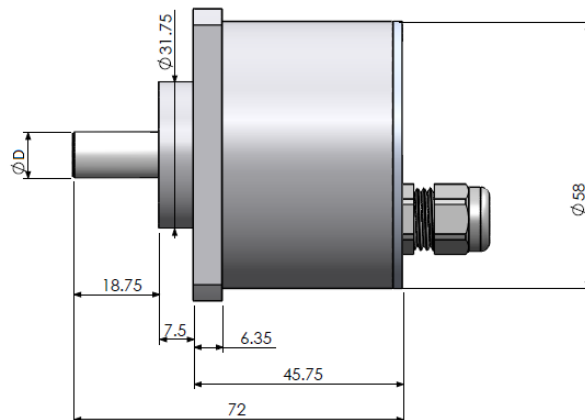
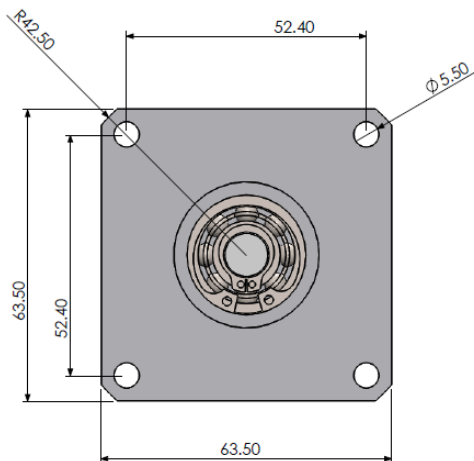
 M16 / 8 PIN MALE SOCKET PIN NO	 SIGNAL	 CABLE COLOR
1	A	YELLOW
2	/B	WHITE
3	+V	RED
4	0 V	BLACK
5	/A	BLUE
6	B	GREEN
7	/Z	GREY
8	Z	PINK



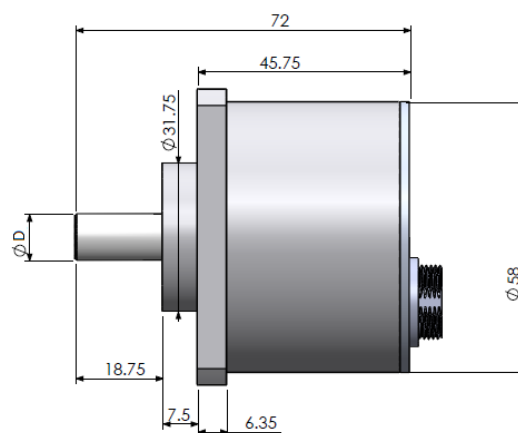
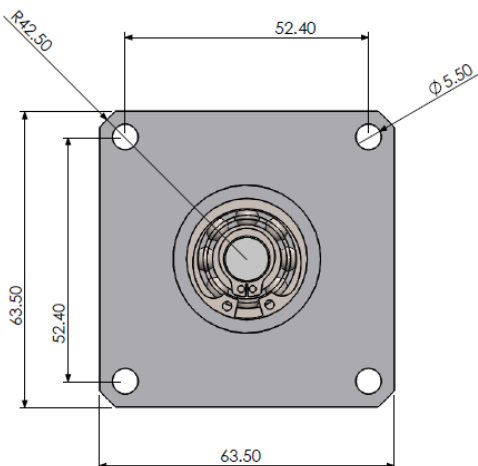
The table above shows the cable colors of the sensor output signals. If the control circuit is suitable in the Line Driver sensors of the not output signals (/A, /B, /Z) have to be added to the system. If it is not suitable /A, /B, /Z signal cables must be fixed as insulated separately. Don't forget that these edges have electricity too.

MECHANICAL DIMENSIONS (mm)

Cable From Backside

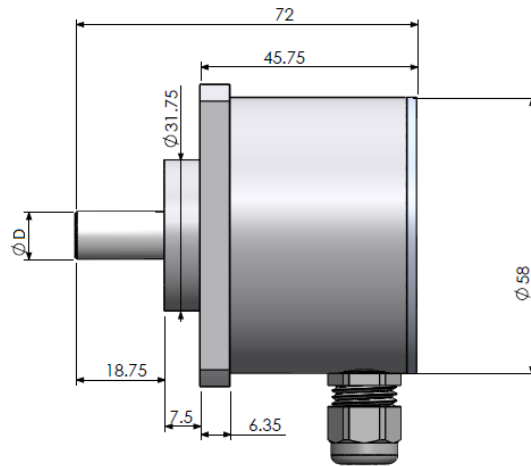
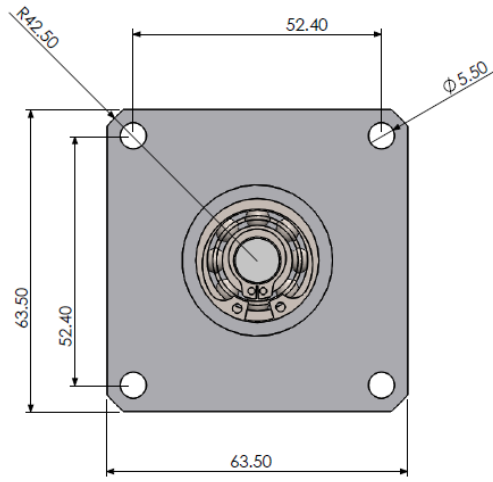


Connector From Backside

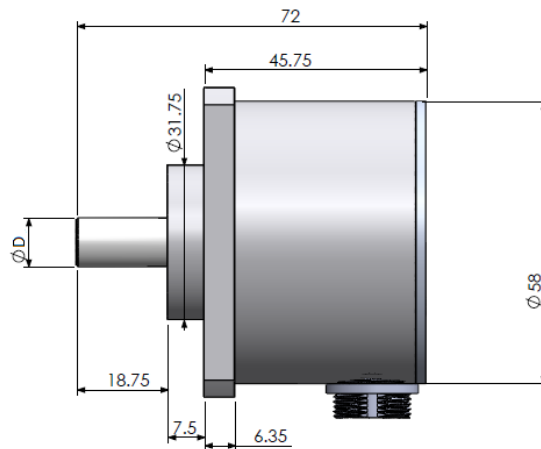
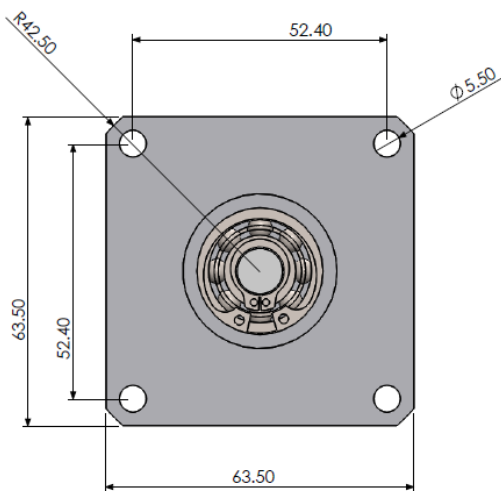


*D= 6 mm, 8 mm or 10 mm are available.

Cable From Side



Connector From Side



*D= 6 mm, 8 mm or 10 mm are available.

PRODUCT CODE

کانون ابزار

تلفن :

021 66 39 39 00

0912 147 3023

ali5.ir

Model

Body Diameter

58 : 58 mm

Supply and Output

PP : 10...30 VDC Supply
 : 10...30VDC Output
 TTL : 5 VDC Supply
 : 5 VDC TTL RS422 Line Driver Out.
 HTL : 10...30 VDC Supply
 : 5 VDC TTL RS422 Line Driver Out.
 HPL : 5...30 VDC Supply
 : 5...30 VDC Push-Pull Output
 OCL : NPN Open Collector
 OCP : PNP Open Collector

Electrical Connection

3M : 3 m cable
 5M : 5 m cable
 10M : 10 m cable
 S14 : M16 / 8 pin Male Socket

Shaft Diameter

6 : 6 mm
 8 : 8 mm
 10 : 10 mm

ARK - X - XXX - XXXX - XXX - X - XX - XX - XX

Shaft Type

S : Shaft

Resolution

All resolution values between 1 and 1024 pulses are available

Output Signals

2 (A,B)
 3 (A,B,Z)
 4 (A,/A,B,/B)
 6 (A,/A,B,/B,Z,/Z)

Cable or Connector Direction

A : From backside
 Y : From side

* Please contact for other (customized) options.