

GENERAL INFORMATIONS



ARK S 58 series rotary encoders measure with magnetic principle and work contactless. They give incremental digital pulse signal output.

They have different resolution values between 1 pulse and 1024 pulses. With their high IP67 protection class, they can work in harsh environmental conditions.

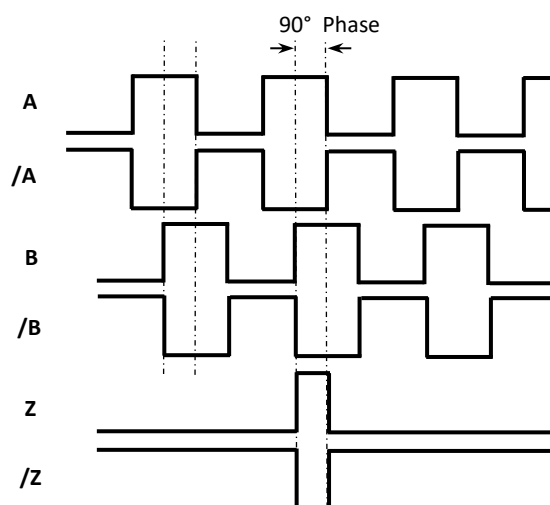
Optionally, different cable length, socket model and shaft diameter can be requested.

WARNINGS

- The installation of the product is carried out by the customer who purchases the product, according to the wiring diagrams, installation information, etc. in this manual.
- Maintenance and repair should be done by the technicians authorized by the manufacturer firm.
- There must be minimum distance between the sensor and control unit. Avoid additions except the suitable connector unless it needs.
- Keep away the sensor cable from as high power energy cables, contactor, motor, switched power supplies, inductive and capacitive noisy supplies.
- Shielding edge of the sensor cable must be ground connected.
- Not to damage the sensor supply directions and voltage must be paid attention (For TTL sensor max. 5V; PP, HTL, HPL sensor max. 30V). Don't energize before all connections completed.
- Transport and storage should be at their original packaging and an ambient temperature of -40°C / $+85^{\circ}\text{C}$ in such a way that they will not be exposed to dust, humidity, impact, vibration, falling or water.
- Chemicals such as alcohol, thinner etc. should not be used for cleaning the product. The product should be wiped with a damp cloth.
- The product may be damaged and may become unusable if used outside of the specifications in the user manual.
- The product will be out of warranty if used outside of the specifications in the user manual and opened or repaired other than authorized services.

ELECTRICAL CONNECTIONS

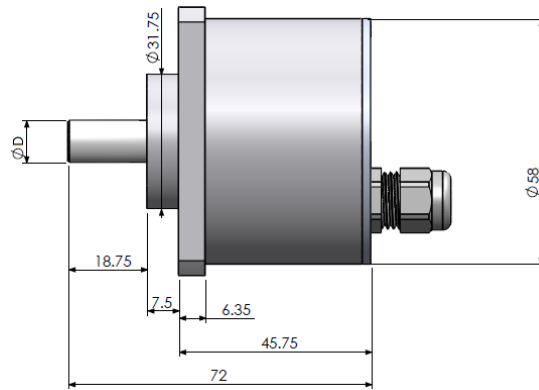
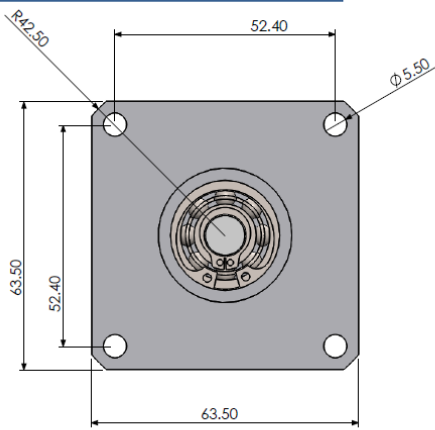
M16 / 8 PIN MALE SOCKET PIN NO	SIGNAL	CABLE COLOR
1	A	YELLOW
2	/B	WHITE
3	+V	RED
4	0 V	BLACK
5	/A	BLUE
6	B	GREEN
7	/Z	GREY
8	Z	PINK



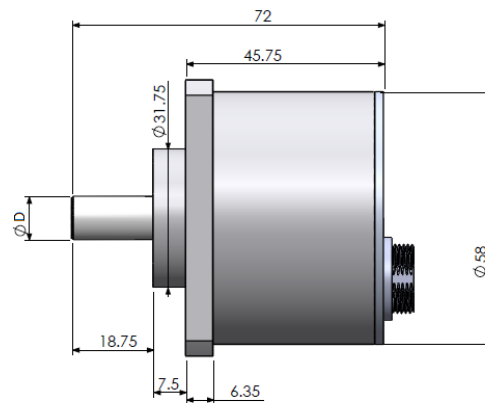
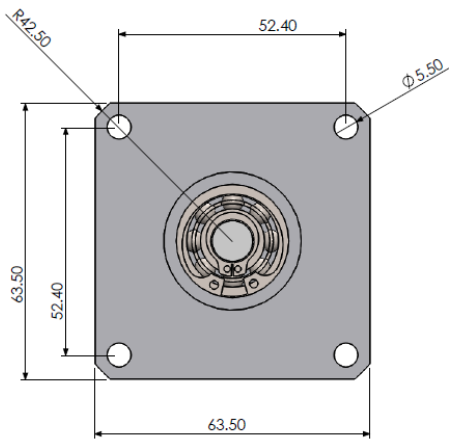
In the left tablet he cable colors of sensors output signals are given. If the control circuit is suitable in the Line Driver sensors of the not output signals (/A, /B, /Z) have to be added to the system. If it is not suitable /A, /B, /Z signal cables must be fixed as insulated separately. Don't forget that these edges have electricity too.

MECHANICAL DIMENSIONS

Cable From Backside

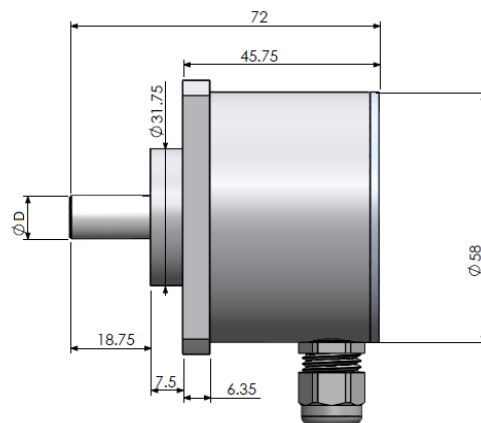
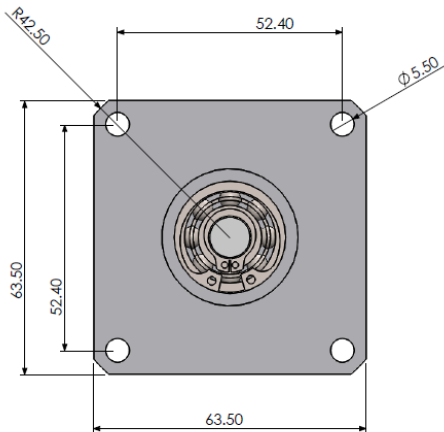


Connector From Backside

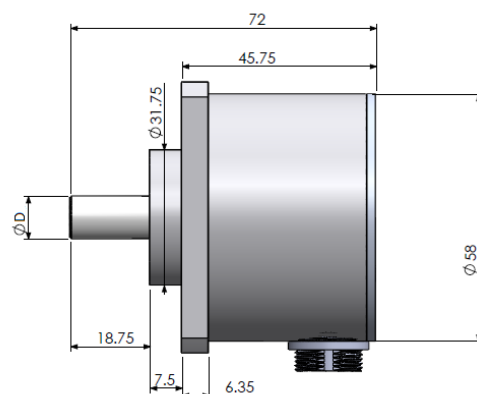
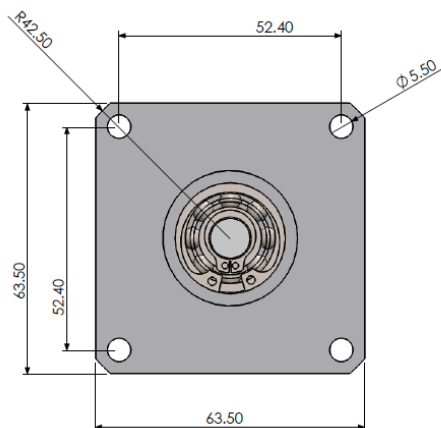


*D= 6 mm, 8 mm or 10 mm are available.

Cable From Side



Connector From Side



*D= 6 mm, 8 mm or 10 mm are available.

TECHNICAL SPECIFICATIONS

Measuring Type	Magnetic
Max. Operating Speed	3000 RPM
Resolution	All resolution values between 1 and 1024 pulses are available
*Supply Voltage	5VDC, 10...30 VDC
Current Consumption	50 mA nominal
*Output Type	Push pull, TTL Line Driver, Open Collector
*Output Signals	A, /A, B, /B, Z, /Z
Operating Temperature	-25...+85 °C
Storage Temperature	-40...+85 °C
Electrical Connection	M16 socket 5 x 0,14mm ² shielded cable (outer diameter: 5 ±0,2 mm) (When output signal is selected as 2 or 3) 8 x 0,14mm ² shielded cable (outer diameter: 6,5 ±0,2 mm) (When output signal is selected as 4 or 6)
Shaft Diameters	6 mm, 8 mm or 10 mm
IP Protection Class	IP67
Weight	~330 gr
Material	Body: Aluminium Shaft: stainless Steel

Note: The technical specifications indicated by (*) vary according to the selected model. The detailed code table is shown below.

BOX CONTENTS

Product	Description
ARK S 58	IP67 Rotary Encoder
User Manual	1 pcs.

PRODUCT CODE TABLE

Model	Shaft Type	Body Diameter	Resolution	Output Signals	Electrical Connection	Shaft Diameter		
ARK	S : Shafted	58 : 58 mm	All resolution values between 1 and 1024 pulses are available	2 (A,B) 3 (A,B,Z) 4 (A,/A,B,/B) 6 (A,/A,B,/B,Z,/Z)	Supply and Output PP : 10...30 VDC Supply : 10...30VDC Output TTL : 5 VDC Supply : 5 VDC TTL RS422 Line Driver Out. HTL : 10...30 VDC Supply : 5 VDC TTL RS422 Line Driver Out. HPL : 5...30 VDC Supply : 5...30 VDC Push-Pull Output OCL : NPN Open Collector OCP : PNP Open Collector 3M : 3 m 5M : 5 m 10M : 10 m S13 : M16/8 pin Socket	6 : 6 mm 8 : 8 mm 10 : 10 mm		
ARK	X	XXX	XXXX	XXX	X	XX	XX	XX



Manufacturer Firm's Title, Address Details

Manufacturer Firm: ATEK ELEKTRONİK SENSÖR TEKNOLOJİLERİ SANAYİ VE TİCARET A.Ş.

Address: Gebze OSB, 800. Sokak, No:814, Gebze/KOCAELİ/TURKEY

TEL: +90 262 673 76 00 **FAX:** +90 262 673 76 08

Web: www.ateksensor.com **E-mail:** info@ateksensor.com

Authorized Service's Title, Address Details

Authorized Service: ATEK ELEKTRONİK SENSÖR TEKNOLOJİLERİ SANAYİ VE TİCARET A.Ş.

Address: Gebze OSB, 800. Sokak, No:814, Gebze/KOCAELİ/TURKEY

TEL: +90 262 673 76 00 **FAX:** +90 262 673 76 08

E-mail: info@ateksensor.com



Disposal of Packagings: Packaging materials consist of recyclable materials. For providing recycling, please dispose waste packagings to collecting points of authorized recycling facilities.

Disposal of E-Waste: This device is in conformity with WEEE Directive and consists of recyclable materials. This product should not be disposed with general waste for preventing negative effects on environment and human health. This product should be disposed to collecting points of authorized recycling facilities. Further information can be reached from authorized unit.

کانون ابزار

تلفن :

021 66 39 39 00

0912 147 3023

ali5.ir