

ARS T 20 Series

“Magnetic Non-Contact Measurement, 20 mm Body Diameter”



- Non-contact measurement with magnetic principle
- Resolution up to 1024 pulses
- 20 mm body, 15 mm rotor diameter
- Rotor hole diameter from 3 mm to 8 mm
- High operation speed up to 30.000 RPM
- TTL Line Driver output
- High accuracy
- Robust structure, long operating life
- Compact design
- IP68 protection class

کانون ابزار

تلفن :

021 66 39 39 00

0912 147 3023

ali5.ir

ARS T 20 series are non-contact magnetic incremental rotary encoders with high operating speed suitable for using in harsh environments.

They consist of 2 parts, the encoder body and rotor. They have long operating life as they make non-contact measurement. They work incrementally and offer resolution up to 1024 pulses. They are suitable for industries where high speed, IP protection sealing and excellent wear and temperature resistance are required.

MECHANICAL DATA

Dimensions	Encoder: $\varnothing 20$
	Rotor: $\varnothing 15$
Material	Encoder: Aluminum
	Rotor: Aluminum
Weight	Encoder: ~20g (except cable)
	Rotor: ~5g

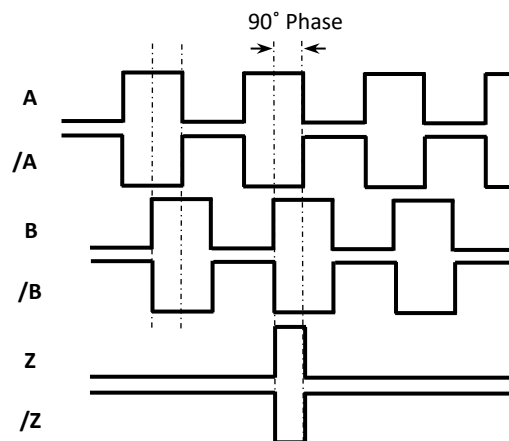
ENVIRONMENTAL DATA

Protection Class	IP68
Operating Temp.	-40°C...+85°C
Storage Temp.	-40°C...+85°C

Measuring type	Magnetic, non-contact
Resolution	Resolution options between 1 and 1024 pulses
Operating Speed	30.000 RPM max.
Response Frequency	2 MHz
Current Consumption	35 mA
Supply & Output Type	TTL Line Driver
	Supply 5 VDC
	Output 5 VDC TTL
Output Signals	A, /A, B, /B, Z, /Z
Output Current	100 mA max. (per channel)
Electrical Connection	5 or 8x0,14 mm ² shielded cable (500 mm max)

ELECTRICAL CONNECTION

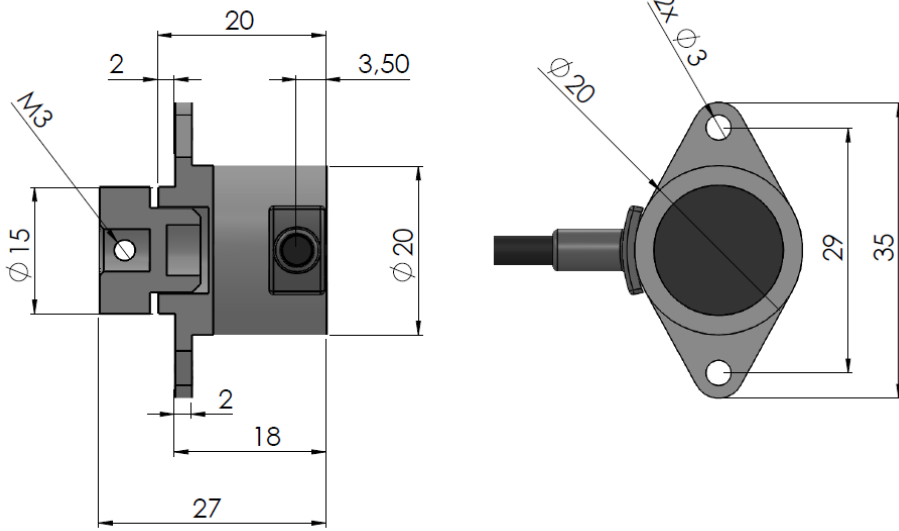
SIGNAL	CABLE COLOR
A	YELLOW
/B	WHITE
+V	RED
0 V	BLACK
/A	BLUE
B	GREEN
/Z	GREY
Z	PINK



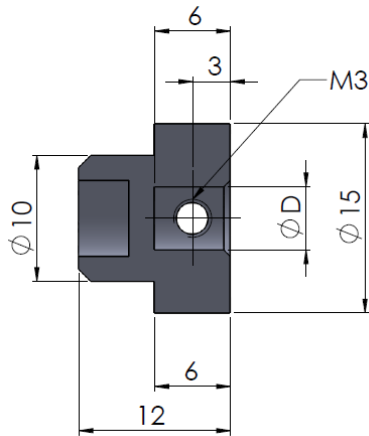
The table above shows the cable colors of the sensor output signals. If the control circuit is suitable in the Line Driver sensors of the not output signals (/A, /B, /Z) have to be added to the system. If it is not suitable /A, /B, /Z signal cables must be fixed as insulated separately. Don't forget that these edges have electricity too.

MECHANICAL DIMENSIONS AND MAGNET POSITION TOLERANCES

Body

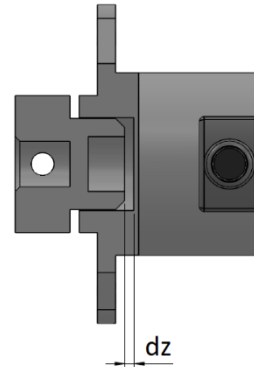


Rotor



ØD: 3mm ... 8mm
*Optional others

Air gap dz = 0,7 – 1,4 mm



ORDER CODE

ARS	T	XXX	XXXX	XXX	X	XX	XX
Model	Type T : Non-contact	Body Diameter 020 : 20 mm	Resolution All resolution options from 1 to 1024 pulses.	Supply and Output TTL : 5 VDC Supply : 5 VDC TTL RS422 Line Driver Out.	Output Signals 2 (A,B) 3 (A,B,Z) 4 (A,/A,B,/B) 6 (A,/A,B,/B,Z,/Z)	Cable Length 500mm : 500mm (standard)	Rotor Hole Diameter Selectable from 3mm to 8mm *Optional others

کانون ابزار

تلفن :

02166 39 39 00

0912 147 3023

ali5.ir