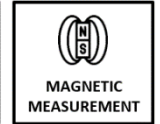
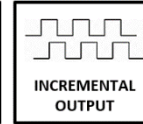




GENERAL SPECIFICATIONS

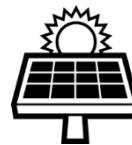
- Incremental measurement with magnetic principle
- Resolution up to 1024 pulses
- 37 mm body diameter
- Semi hollow shaft options from 4 mm to 10 mm
- 3000 RPM operating speed
- 300 KHz response frequency
- High accuracy
- Robust structure, long operating life
- Compact design
- IP54 protection class



ARS B 38 series rotary encoders measure with magnetic principle and operate incrementally. It offers resolution up to 1024 pulses per revolution. In these encoders with 37 mm compact body; from 4 to 10 mm semi-hollow shaft options are available.

APPLICATIONS

- Wind Applications / Power Plants
- Marine or Utility Vehicle Applications
- Press or Wood and Stone Processing Machinery
- Construction Machinery
- Cranes
- Offshore Applications
- Commercial Solar Plants
- Filling Plants
- Food & Beverage Applications
- Oil & Gas - Pipe Handling and Cranes



TECHNICAL SPECIFICATIONS

*Resolution	Resolution options between 1 and 1024 pulses						
Operating Speed	3000 RPM max.						
Measuring Type	Magnetic						
Response Frequency	300 KHz						
Current Consumption	50 mA nominal						
*Electrical Interface		PP	TTL	HTL	HPL	OCL	OCP
	Supply	10...30 VDC	5 VDC	10...30 VDC	5...30 VDC	The supply signal should not be lower than the output signal	
	Output	10...30 VDC PP	5 VDC TTL	5 VDC TTL	5...30 VDC PP	NPN Open Collector	PNP Open Collector
*Output Signals	A, /A, B, /B, Z, /Z						
Output Current	100 mA max. (per channel)						
*Electrical Connection	5 or 8x0,14 mm ² shielded cable						
Body Diameter	37 mm						
*Shaft Diameter	4 mm...10 mm						
Operating Temperature	-25...+85 °C						
Storage Temperature	-40...+100 °C						
IP Protection Class	IP54						
Weight	~110 gr						
Material	Body: Aluminum Shaft: Stainless Steel						

کانون ابزار

تلفن:

021 66 39 39 00

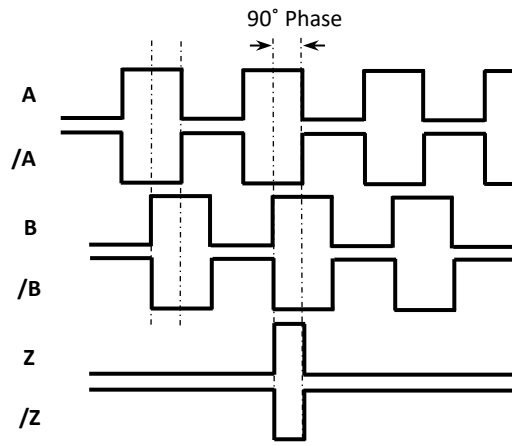
0912 147 3023

ali5.ir

Note: The specifications indicated by (*) vary according to the model selected. The detailed code table for product selection is shown on page 2.

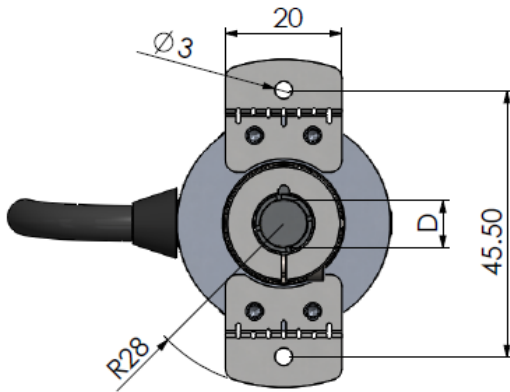
ELECTRICAL CONNECTIONS

SIGNAL	CABLE COLOR
A	YELLOW
/B	WHITE
+V	RED
0 V	BLACK
/A	BLUE
B	GREEN
/Z	GREY
Z	PINK

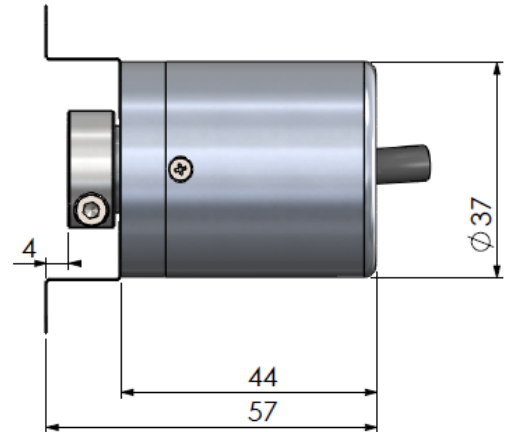


The table above shows the cable colors of the sensor output signals. If the control circuit is suitable in the Line Driver sensors of the not output signals (/A, /B, /Z) have to be added to the system. If it is not suitable /A, /B, /Z signal cables must be fixed as insulated separately. Don't forget that these edges have electricity too.

MECHANICAL DIMENSIONS (mm)



ØD 4 ... 10



PRODUCT CODE

کانون ابزار

تلفن:

021 66 39 39 00

0912 147 3023

ali5.ir

Supply and Output

PP : 10...30 VDC Supply
: 10...30VDC Output

TTL : 5 VDC Supply
: 5 VDC TTL RS422 Line Driver Out.

HTL : 10...30 VDC Supply
: 5 VDC TTL RS422 Line Driver Out.

HPL : 5...30 VDC Supply
: 5...30 VDC Push-Pull Output

OCL : NPN Open Collector
OCP : PNP Open Collector

Electrical Connection

3M : 3 m (standard)
5M : 5 m
10M: 10 m
*Optional others

Hollow Diameter

4 : 4 mm
5 : 5 mm
6 : 6 mm
8 : 8 mm
10 : 10 mm

Model

Body Type

38 : 37 mm

ARS - X - XX - XXXX - XXX - X - XX - X - X - XX

Shaft Type

B : Semi Hollow Shaft

Resolution

All resolution options from 1 to 1024 pulses

Output Signals

2 (A,B)
3 (A,B,Z)
4 (A,/A,B,/B)
6 (A,/A,B,/B,Z,/Z)

Cable Direction

A : From backside
Y : From side

Flange Type

FE: Z type flex flange

Atek Elektronik Sensör Teknolojileri Sanayi ve Ticaret A.Ş.



Gebze OSB, 800. Sokak, No:814 Gebze/KOCAELİ/TURKEY

