



GENERAL SPECIFICATIONS

- Incremental measurement with magnetic principle
- Resolution up to 1024 pulses
- 37 mm body diameter
- 6 mm, 8 mm or 10 mm shaft
- 3000 RPM operating speed
- 300 KHz response frequency
- High accuracy
- Robust structure, long operating life
- Compact design
- IP54 protection class

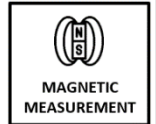
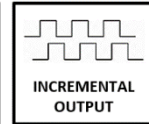
کانون ابزار

تلفن:

021 66 39 39 00

0912 147 3023

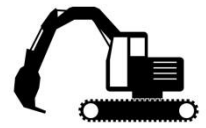
ali5.ir



ARS S 37 series rotary encoders measure with magnetic principle and operate incrementally. It offers resolution up to 1024 pulses per revolution. In these encoders with 37 mm compact body; 6, 8 or 10 mm shaft options are available.

APPLICATIONS

- Wind Applications / Power Plants
- Marine or Utility Vehicle Applications
- Press or Wood and Stone Processing Machinery
- Construction Machinery
- Cranes
- Offshore Applications
- Commercial Solar Plants
- Filling Plants
- Food & Beverage Applications
- Oil & Gas - Pipe Handling and Cranes





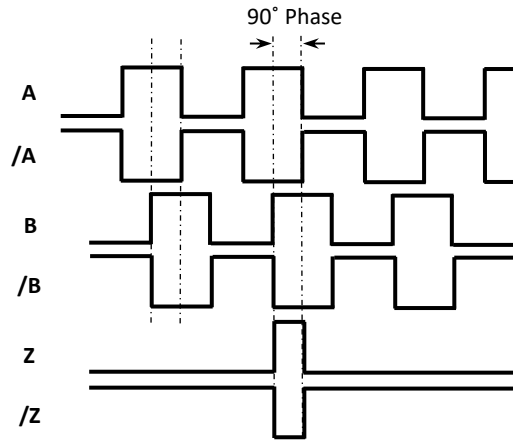
TECHNICAL SPECIFICATIONS

*Resolution	Resolution options between 1 and 1024 pulses						
Operating Speed	3000 RPM max.						
Measuring Type	Magnetic						
Response Frequency	300 KHz						
Current Consumption	50 mA nominal						
*Electrical Interface		PP	TTL	HTL	HPL	OCL	OCP
	Supply	10...30 VDC	5 VDC	10...30 VDC	5...30 VDC	The supply signal should not be lower than the output signal	
	Output	10...30 VDC PP	5 VDC TTL	5 VDC TTL	5...30 VDC PP	NPN Open Collector	PNP Open Collector
*Output Signals	A, /A, B, /B, Z, /Z						
Output Current	100 mA max. (per channel)						
*Electrical Connection	5 or 8x0,14 mm ² shielded cable						
Body Diameter	37 mm						
*Shaft Diameter	6 mm, 8 mm or 10 mm						
Operating Temperature	-25...+85 °C						
Storage Temperature	-40...+100 °C						
IP Protection Class	IP54						
Weight	~90 gr						
Material	Body: Aluminum						
	Shaft: Stainless Steel						

Note: The specifications indicated by (*) vary according to the model selected. The detailed code table for product selection is shown on page 2.

ELECTRICAL CONNECTIONS

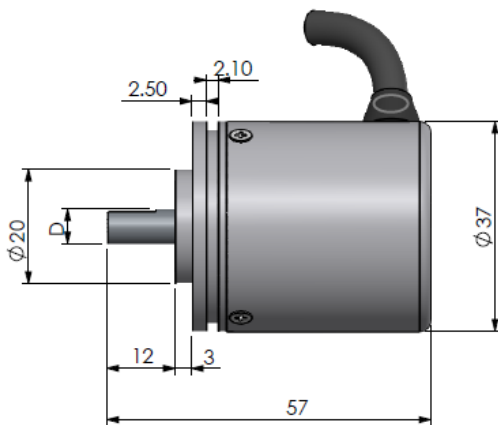
 SIGNAL	 CABLE COLOR
A	YELLOW
/B	WHITE
+V	RED
0 V	BLACK
/A	BLUE
B	GREEN
/Z	GREY
Z	PINK



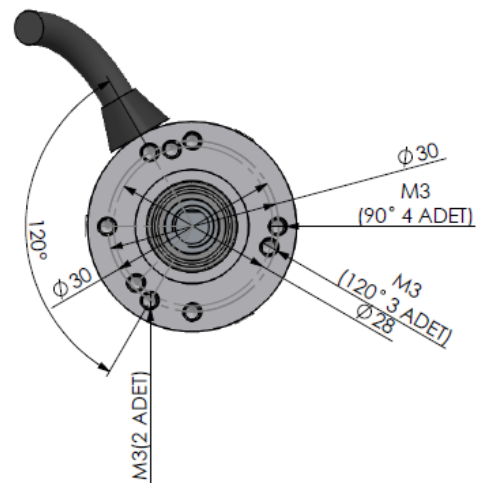
The table above shows the cable colors of the sensor output signals. If the control circuit is suitable in the Line Driver sensors of the not output signals (/A, /B, /Z) have to be added to the system. If it is not suitable /A, /B, /Z signal cables must be fixed as insulated separately. Don't forget that these edges have electricity too.

MECHANICAL DIMENSIONS (mm)

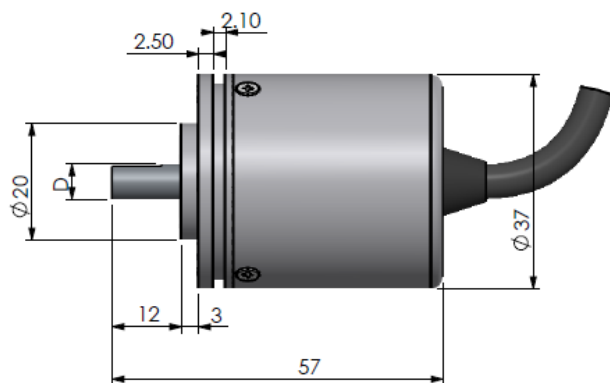
Cable Output From Side



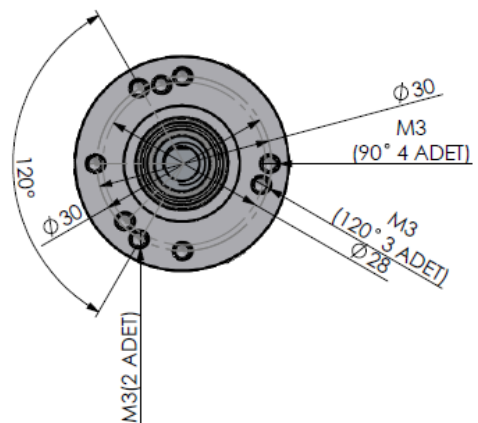
$\varnothing D$	6	8	10
-----------------	---	---	----



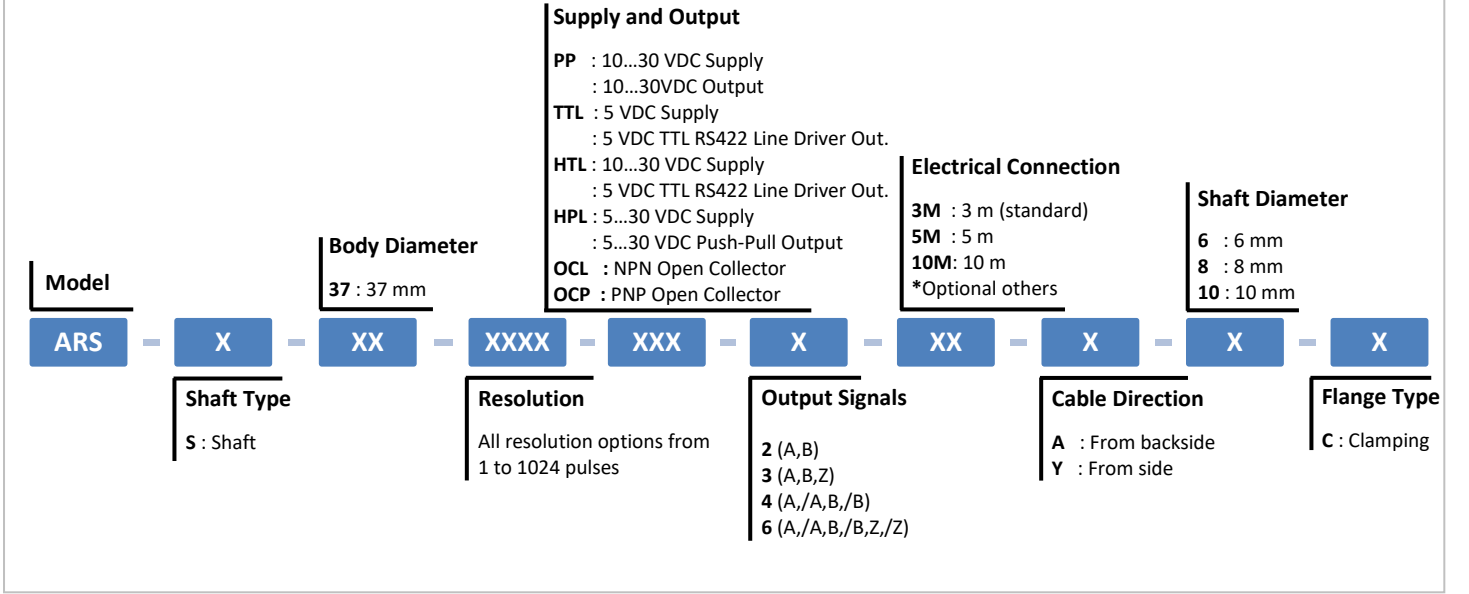
Cable Output From Backside



$\varnothing D$	6	8	10
-----------------	---	---	----



PRODUCT CODE



کانون ابزار

تلفن :

021 66 39 39 00

0912 147 3023

ali5.ir

Atek Elektronik Sensör Teknolojileri Sanayi ve Ticaret A.Ş.



Gebze OSB, 800. Sokak, No:814 Gebze/KOCAELİ/TURKEY



Tel: +90 262 673 76 00



Fax: +90 262 673 76 08



www.ateksensor.com



info@ateksensor.com