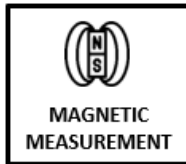
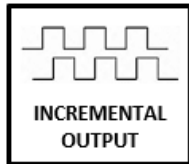


## ART B 58 Series

“Magnetic Non-Contact Measurement,  
58 mm Body Diameter”



- Non-contact measurement with magnetic principle
- Incremental output
- 58 mm body diameter
- Resolution options between 1 pulse and 1024 pulses
- Operating speed up to 20.000 RPM
- IP65 protection class
- High sensitivity
- Robust structure, long service life

ART B 58 series rotary encoders measure with magnetic principle and work contactless.

They consist of 2 parts, the encoder body and rotor. They have long operating life as they make non-contact measurement. They can also operate at high speeds up to 20,000 RPM. They work incrementally and offer resolution up to 1024 pulses.

**کانون ابزار**

تلفن :

**021 66 39 39 00**

**0912 147 3023**

**ali5.ir**

## MECHANICAL DATA

<b>Dimensions</b>	Encoder: $\varnothing 58$
	Rotor: $\varnothing 30$
<b>Material</b>	Encoder: Aluminum
	Rotor: Aluminum
<b>Weight</b>	Encoder: ~180g
	Rotor: ~10g



## ENVIRONMENTAL DATA

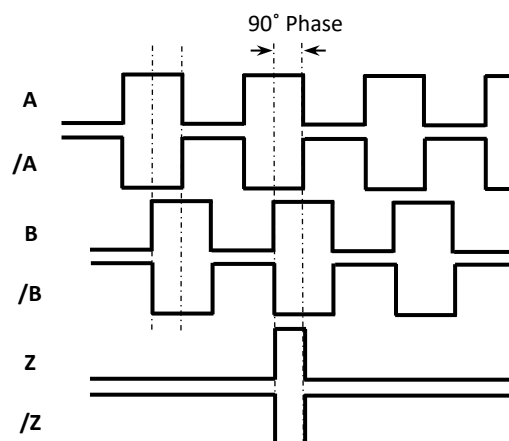
<b>Protection Class</b>	IP65
<b>Operating Temp.</b>	-25°C...+85°C
<b>Storage Temp.</b>	-40°C...+100°C

## ELECTRICAL DATA

<b>Measuring Type</b>	Magnetic, non-contact						
<b>Resolution</b>	All resolution values between 1 and 1024 pulses						
<b>Operating Speed</b>	20.000 RPM max.						
<b>Response Frequency</b>	300 KHz						
<b>Current Consumption</b>	50 mA nominal						
<b>Supply and Output Type</b>		<b>PP</b>	<b>TTL</b>	<b>HTL</b>	<b>HPL</b>	<b>OCL</b>	<b>OCP</b>
	<b>Supply</b>	10...30 VDC	5 VDC	10...30 VDC	5...30 VDC	The supply signal should not be lower than the output signal	
<b>Output</b>	10...30 VDC PP	5 VDC TTL	5 VDC TTL	5...30 VDC PP	NPN Open Collector	PNP Open Collector	
<b>Output Signals</b>	A, /A, B, /B, Z, /Z						
<b>Output Current</b>	100 mA max. (per channel)						
<b>Electrical Connection</b>	5 x 0,14mm <sup>2</sup> shielded cable (outer diameter: 5 ±0,2 mm) (When output signal is selected as 2 or 3) 8 x 0,14mm <sup>2</sup> shielded cable (outer diameter: 6,5 ±0,2 mm) (When output signal is selected as 4 or 6)						

## ELECTRICAL CONNECTION

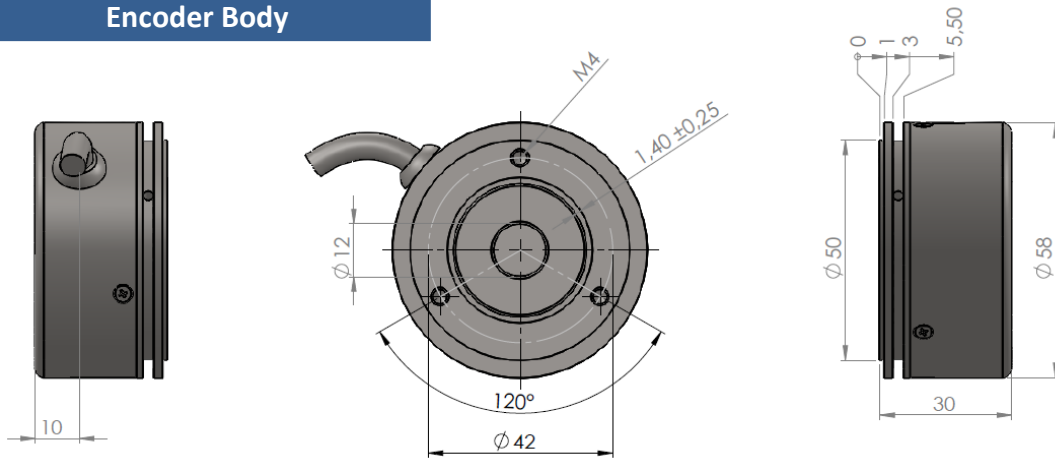
	
<b>SIGNAL</b>	<b>CABLE COLOR</b>
A	YELLOW
/B	WHITE
+V	RED
0V	BLACK
/A	BLUE
B	GREEN
/Z	GREY
Z	PINK



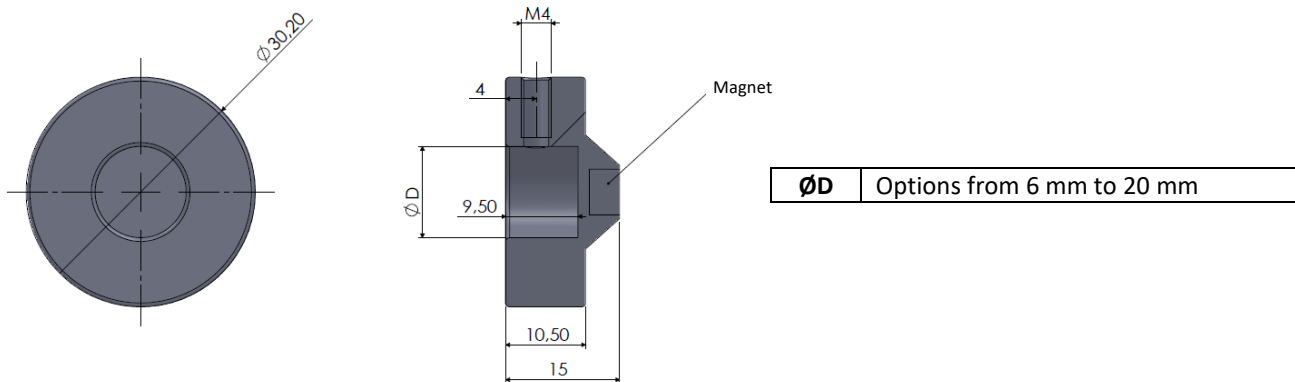
The table above shows the cable colors of the sensor output signals. If the control circuit is suitable in the Line Driver sensors of the not output signals (/A, /B, /Z) have to be added to the system. If it is not suitable /A, /B, /Z signal cables must be fixed as insulated separately. Don't forget that these edges have electricity too.

## MECHANICAL DIMENSIONS (mm)

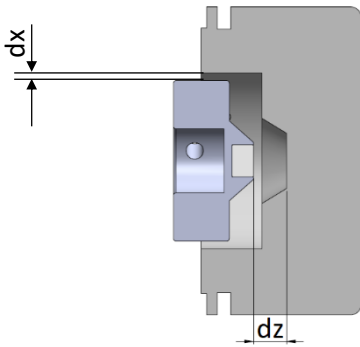
### Encoder Body



### Rotor



## MAGNET - ENCODER SENSING DISTANCE AND POSITION TOLERANCE



Sensing Distance=  $dz = 1,3 - 2 \text{ mm}$

Alignment =  $dx = 1,40 \pm 0,25 \text{ mm}$

**کانون ابزار**

تلفن:

**021 66 39 39 00**

**0912 147 3023**

**ali5.ir**

## ORDER CODE

ART	T	XXX	XXXX	XXX	X	XX	X	X
<b>Model</b>	<b>Type</b> B : Semi hollow shaft	<b>Body Diameter</b> 058 : 58 mm	<b>Resolution</b> All resolution values between 1 and 1024 pulses are available	<b>Supply and Output</b> PP : 10...30 VDC Supply : 10...30VDC Output TTL : 5 VDC Supply : 5 VDC TTL RS422 Line Driver Out. HTL : 10...30 VDC Supply : 5 VDC TTL RS422 Line Driver Out. HPL : 5...30 VDC Supply : 5...30 VDC Push-Pull Output OCL : NPN Open Collector OCP : PNP Open Collector	<b>Output Signals</b> 2 (A,B) 3 (A,B,Z) 4 (A,/A,B,/B) 6 (A,/A,B,/B,Z,/Z)	<b>Cable Length</b> 3M : 3M (Standard) 5M : 5M 8M : 8M 10M : 10M *Optional others	<b>Cable Direction</b> Y : From side	<b>Hollow Diameter</b> Different hollow diameters between 6mm and 20 mm