



### GENERAL FEATURES

The LTM Series, which is easy to use and install, is the most used model of the industry. It is used to measure linear movements with one-sided actuating rod.

They work as ABSOLUTE because they are measuring with the potentiometric principle, that is, they do not lose their position in case of power off. Potentiometric, 4-20 mA (optional 0-20 mA) or 0-10V analog output options are available.

Because of their linearized conductive plastic resistance alloy and special contacts, they are not affected by wear and operate for a long time with a life cycle of up to 100 million. They are stable by being linear and they measure evenly.

- One-sided Actuating Rod
- Measurement lengths between 50 mm and 1000 mm
- Potentiometric measurement
- Potentiometric, 4-20 mA or 0-10V analog output options
- Long life up to 100 million movements
- High accuracy
- Compact design
- 5 m/s operating speed
- PVC cable or DIN43650-A socket connection
- IP62 protection class

### TECHNICAL SPECIFICATIONS

Model	LTM 50	LTM 75	LTM 100	LTM 125	LTM 150	LTM 175	LTM 200	LTM 225	LTM 250	LTM 275	LTM 300	LTM 325	LTM 350	LTM 360	LTM 375	LTM 400	LTM 450	LTM 500	LTM 550	LTM 600	LTM 650	LTM 700	LTM 750	LTM 800	LTM 900	LTM 1000		
<b>Electrical Stroke (mm)</b>	50	75	100	125	150	175	200	225	250	275	300	325	350	360	375	400	450	500	550	600	650	700	750	800	900	1000		
<b>Independent Linearity (±%)</b>	0.2	0.2	0.2	0.2	0.2	0.2	0.2	0.12	0.12	0.12	0.12	0.12	0.12	0.12	0.12	0.12	0.12	0.12	0.1	0.1	0.1	0.1	0.1	0.1	0.1	0.1		
<b>Repeatability</b>	0.01 mm																											
<b>Max Operating Speed</b>	≤ 5 m/s																											
<b>Resistance Element</b>	Conductive Plastic																											
<b>Output Signal</b>	Potentiometric						4-20 mA (opt. 0...20 mA) or 0-10V																					
<b>Supply Voltage</b>	42V max.						20...30 VDC																					
<b>Resistance (KΩ)</b>	5, 10 (Optional others)						-																					
<b>Resistance Tolerance (±%)</b>	20						-																					
<b>Electrical Connection</b>	3 x 0,14 mm <sup>2</sup> shielded PVC cable or DIN43650-A socket																											
<b>Mechanical Fixing</b>	Adjustable (sliding) mounting feet																											
<b>Operating Temperature</b>	-30°C...+100°C																											
<b>IP Protection Class</b>	IP62																											
<b>Life</b>	100 x 10 <sup>6</sup> movements																											
<b>Material</b>	Body: Aluminium Rod: Stainless Steel																											

**کانون ابزار**

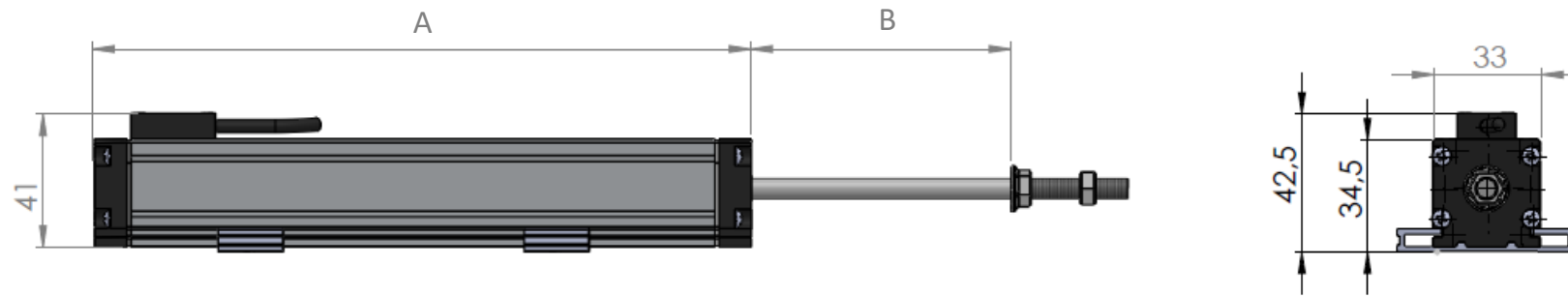
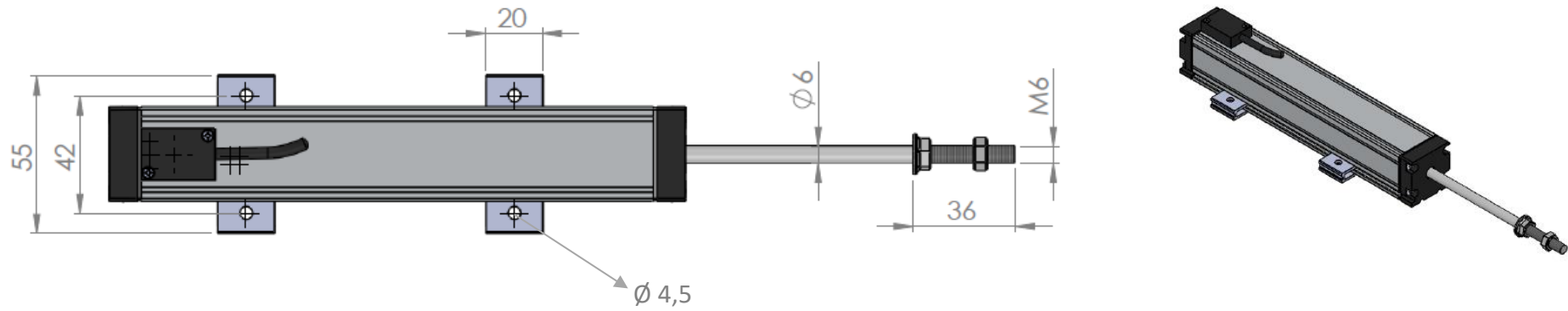
**تلفن:**

**021 66 39 39 00**

**0912 147 3023**

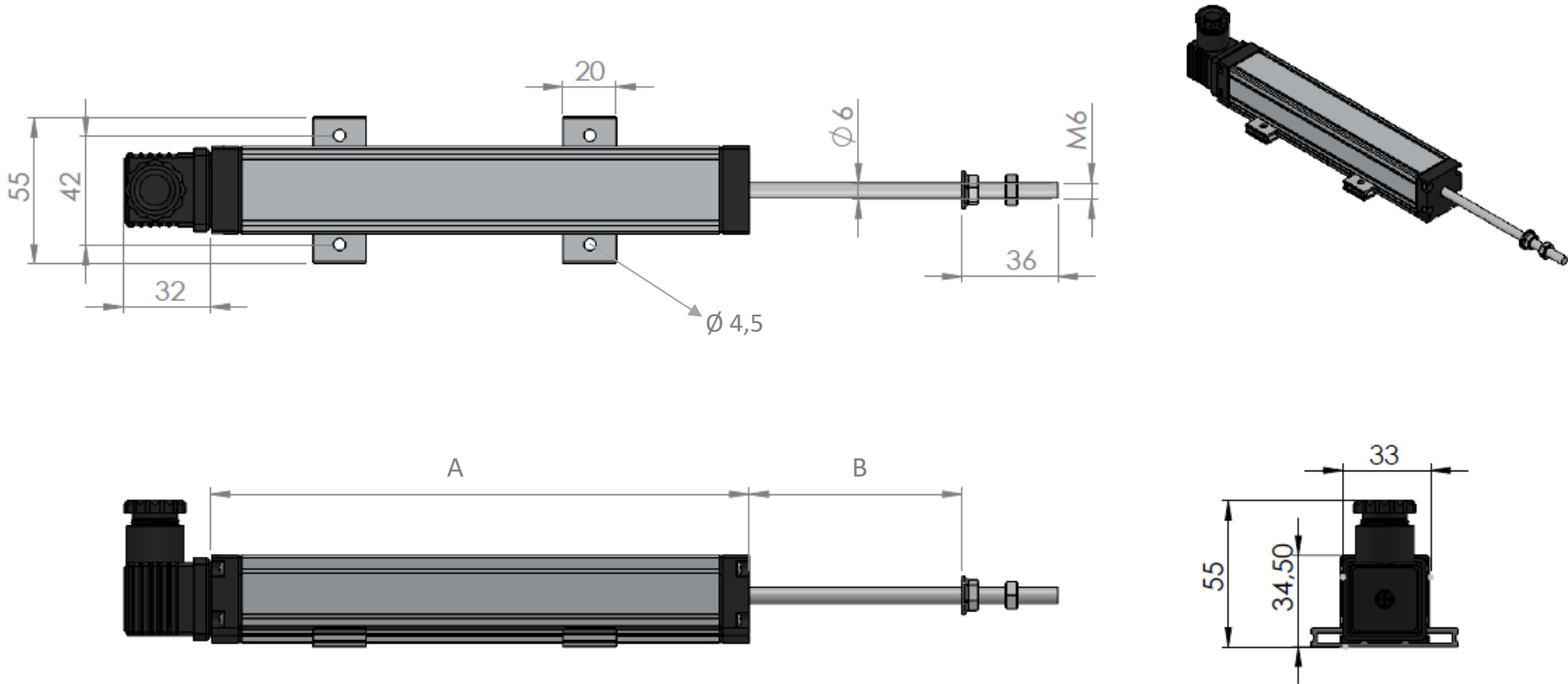
**ali5.ir**

## MECHANICAL DIMENSIONS (model with cable) (mm)



Stroke (mm)	50	75	100	125	150	175	200	225	250	275	300	325	350	360	375	400	450	500	550	600	650	700	750	800	900	1000
<b>Body Length (A)</b>	125	150	175	200	225	250	275	300	325	350	375	400	425	435	450	475	525	575	625	675	725	775	825	875	975	1095
<b>Mechanical Stroke (B)</b>	52	77	102	127	152	177	202	227	252	277	302	327	352	362	377	402	452	502	552	602	652	702	752	802	902	1002

MECHANICAL DIMENSIONS (model with socket) (mm)

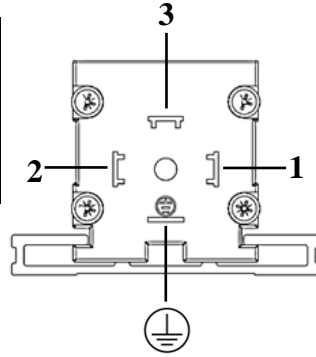


Stroke (mm)	50	75	100	125	150	175	200	225	250	275	300	325	350	360	375	400	450	500	550	600	650	700	750	800	900	1000
Body Length (A)	125	150	175	200	225	250	275	300	325	350	375	400	425	435	450	475	525	575	625	675	725	775	825	875	975	1095
Mechanical Stroke (B)	52	77	102	127	152	177	202	227	252	277	302	327	352	362	377	402	452	502	552	602	652	702	752	802	902	1002

## ELECTRICAL CONNECTIONS

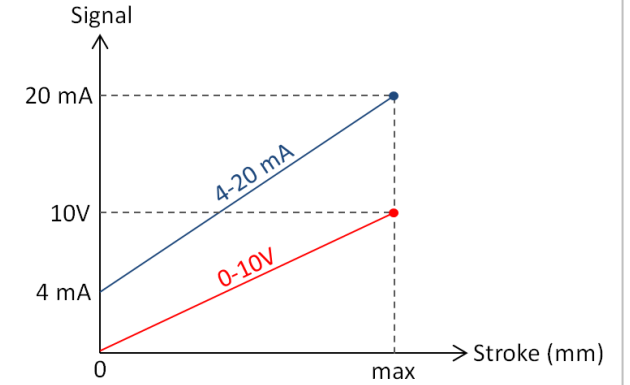
SIGNAL	CABLE COLOR	DIN 43650 –A SOCKET
+ V	Red	Pin 1
Output Signal*	Yellow	Pin 2
- V	Black	Pin 3

\*Output Signal may be potentiometric, 0-10 VDC or 4-20 mA depending on the model (See Product code table).



### Potentiometer Connection (Voltage Divider)

**Note:** The GND line of the feed and signal output is common. Therefore it can be connected with 3-wire cable.



## SAMPLE APPLICATION FIELDS

- Measuring /control technology
- Manufacturing engineering like woodwork machines, riveting machines, packaging machines etc.
- Hydraulic machines
- Press brakes
- Metal working machines
- Bending machines
- Assembly and test equipment
- Medical applications
- Building technology
- Textile machinery
- Other automation applications

## ORDER CODE

### Order Code For Analog Output

Model No				Output Signal		
LTM	-	XXX	-	X	-	XX
				A: 4-20 mA (*Optional 0-20 mA) V: 0-10 VDC		
Measuring Length (Stroke)				Electrical Connection		
Different measuring lengths between 50 mm and 1000 mm				2M: 2 meters PVC cable (std.) (*Optionally different lengths) No code: DIN 43650-A socket		

### Order Code For Potentiometric Output

Model No				Resistance Value		
LTM	-	XXX	-	XX	-	XX
				5K: 5KΩ 10K: 10KΩ *Optional others		
Measuring Length (Stroke)				Electrical Connection		
Different measuring lengths between 50 mm and 1000 mm				2M: 2 meters PVC cable (std.) (*Optionally different lengths) No code: DIN 43650-A socket		

کانون ابزار

تلفن:

02166 39 39 00

0912 147 3023

ali5.ir

Atek Elektronik Sensör Teknolojileri Sanayi ve Ticaret A.Ş.



Gebze OSB, 800. Sokak, No:814 Gebze/KOCAELI/TURKEY



Tel: +90 262 673 76 00



Fax: +90 262 673 76 08



[www.ateksensor.com](http://www.ateksensor.com)



[info@ateksensor.com](mailto:info@ateksensor.com)