



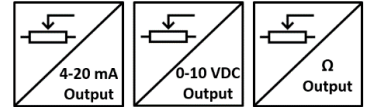
# LINEAR POSITION TRANSDUCERS

## “Push-Back Spring System For Short Distance Measurement” LTR



### GENERAL FEATURES

- Push-back spring system
- Potentiometric measurement
- Potentiometric, 4-20 mA or 0-10V analog output options
- Optionally cable or DIN43650-C socket connection
- Measurement lengths between 10 mm and 150 mm
- Long life up to 100 million movements
- High accuracy
- High operating speed up to 5 m/s



The most important feature of the LTR Series position sensors is the push-back spring.

They work as ABSOLUTE because they are measuring with the potentiometric principle, that is, they do not lose their position in case of power off. Potentiometric, 4-20 mA (optional 0-20 mA) or 0-10V analog output options are available.

Because of their linearized conductive plastic resistance alloy and special contacts, they are not affected by wear and operate for a long time with a life cycle of up to 100 million. They are stable by being linear and they measure evenly.

### TECHNICAL SPECIFICATIONS

Model	LTR 010	LTR 025	LTR 050	LTR 075	LTR 100	LTR 125	LTR 150
Electrical Stroke (mm)	10	25	50	75	100	125	150
Mechanical Stroke (mm)	12	27	52	77	102	127	152
Independent Linearity	±%1	±%0,5	±%0,4	±%0,25	±%0,2	±%0,2	±%0,2
Repeatability	0.01 mm						
Max Operating Speed	5 m/s						
Resistance Element	Conductive Plastic						
Output Signal	Potentiometric		4-20 mA (opt. 0...20 mA) or 0-10V				
Supply Voltage	42V max.		12...30 VDC				
Resistance	5K, 10K (optional other)		-				
Resistance Tolerance (±%)	20		-				
Electrical Connection	DIN 43650-C socket or 3 x 0,14 mm <sup>2</sup> shielded PVC cable						
Operating Temperature	-30°C...+100°C						
IP Protection Class	IP40						
Life	100 million movements						
Rod Material	Stainless Steel						
Body Material	Aluminum						

# کانون ابزار

## تلفن:

### 021 66 39 39 00

### 0912 147 3023

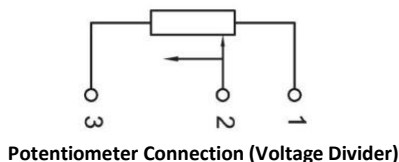
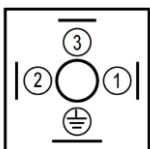
### ali5.ir

### ELECTRICAL CONNECTION

SIGNAL	CABLE COLOR	DIN 43650-C SOCKET
+VDC	Red	Pin 1
Output Signal*	Yellow	Pin 2
-VDC	Black	Pin 3

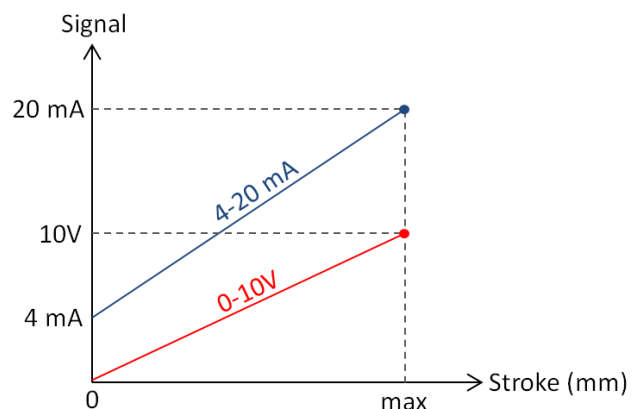
\* Output Signal may be potentiometric, 0-10 VDC or 4-20 mA depending on the model (See Product code table).

#### DIN 43650-C SOCKET



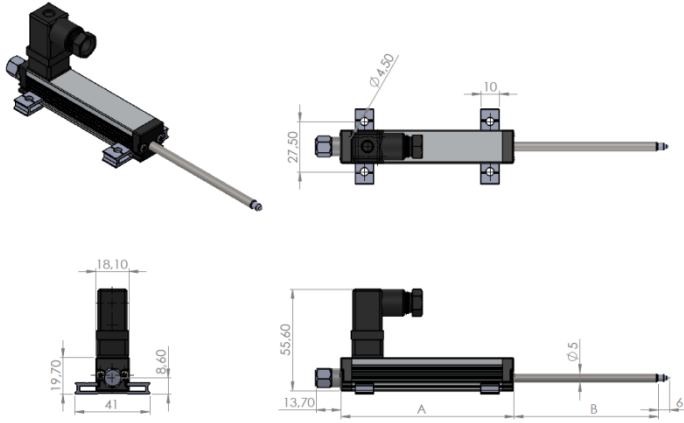
**Note:** The GND line of the feed and signal output is common. Therefore it can be connected with 3-wire cable.

#### Output Signal Graphic

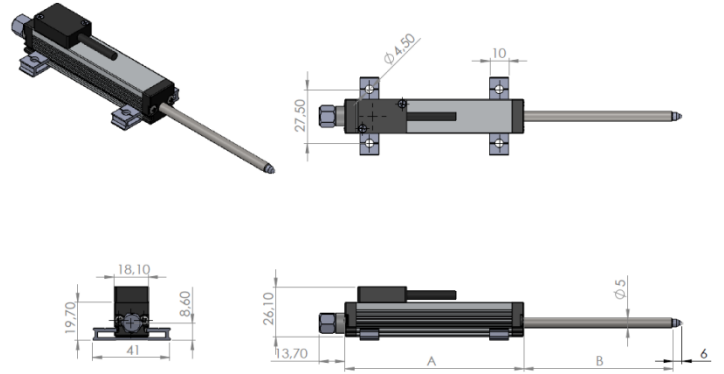


## MECHANICAL DIMENSIONS (mm)

### MODEL WITH DIN 43650-C SOCKET



### MODEL WITH 3 x 0,14 mm<sup>2</sup> CABLE



	Stroke (mm)	10	25	50	75	100	125	150
Potentiometric Output (with cable or socket)	A	48	64	95	128	167	193	226
	B	40	55	80	105	130	155	180
0-10 V or 4-20 mA Output (with cable)	A	48	64	95	128	167	193	226
	B	40	55	80	105	130	155	180
0-10 V or 4-20 mA Output (with socket)	A	82	97	122	147	172	197	222
	B	40	55	80	105	130	155	180

## SAMPLE APPLICATION FIELDS

- Measuring /control technology
- Manufacturing engineering like woodwork machines, riveting machines, packaging machines and welding machines etc.
- Assembly / test devices
- Medical applications
- Building technology

## ORDER CODE

### Order Code For Analog Output

#### Model No

LTR - XXX - X - XX

#### Output Signal

A: 4-20 mA (\*Optional 0-20 mA)  
V: 0-10 VDC

#### Measuring Lengths (stroke)

Different measuring lengths between 10 mm and 150 mm

#### Electrical Connection

No Code: DIN43650-C socket (standard)  
2M: 2 meters PVC cable (optional)

**کانون ابزار**

تلفن :

021 66 39 39 00

0912 147 3023

ali5.ir

### Order Code For Potentiometric Output

#### Model No

LTR - XXX - XXX - XX

#### Resistance Value

5K: 5KΩ  
10K: 10KΩ

#### Measuring Lengths (stroke)

Different measuring lengths between 10 mm and 150 mm

#### Electrical Connection

No Code: DIN43650-C socket (standard)  
2M: 2 meters PVC cable (optional)

Atek Elektronik Sensör Teknolojileri Sanayi ve Ticaret A.Ş.



Gebze OSB, 800. Sokak, No:814 Gebze/KOCAELİ/TURKEY



Tel: +90 262 673 76 00



Fax: +90 262 673 76 08



www.ateksensor.com



info@ateksensor.com