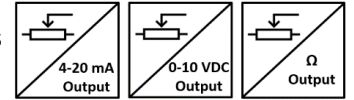




GENERAL FEATURES

- Short distance measuring scale
- Potentiometric measurement
- Potentiometric, 4-20 mA or 0-10V analog output options
- Optionally cable or DIN 43650-C socket connection
- Measurement lengths between 10 mm and 300 mm
- Long life up to 100 million movements
- High accuracy
- High operating speed up to 5 m/s
- Compact design



The most important feature of LT Series position sensors is that they are used in confined spaces due to their small size.

They work as ABSOLUTE because they are measuring with the potentiometric principle, that is, they do not lose their position in case of power off. Potentiometric, 4-20 mA (optional 0-20 mA) or 0-10V analog output options are available.

Because of their linearized conductive plastic resistance alloy and special contacts, they are not affected by wear and operate for a long time with a life cycle of up to 100 million. They are stable by being linear and they measure evenly.

TECHNICAL SPECIFICATIONS

| Model | LT 010 | LT 025 | LT 050 | LT 075 | LT 100 | LT 125 | LT 150 | LT 200 | LT 250 | LT 300 |
|---------------------------|---|--------|-----------------------------------|--------|--------|--------|--------|--------|--------|--------|
| Electrical Stroke (mm) | 10 | 25 | 50 | 75 | 100 | 125 | 150 | 200 | 250 | 300 |
| Mechanical Stroke (mm) | 11 | 26 | 51 | 76 | 101 | 126 | 151 | 201 | 251 | 301 |
| Independent Linearity | ±%1 | ±%0,5 | ±%0,4 | ±%0,25 | ±%0,2 | ±%0,2 | ±%0,2 | ±%0,1 | ±%0,1 | ±%0,1 |
| Repeatability | 0.01 mm | | | | | | | | | |
| Max Operating Speed | 5 m/s | | | | | | | | | |
| Resistance Element | Conductive Plastic | | | | | | | | | |
| Output Signal | Potentiometric | | 4-20 mA (opt. 0...20 mA) or 0-10V | | | | | | | |
| Supply Voltage | 42V max. | | 12...30 VDC | | | | | | | |
| Resistance | 5K, 10K (optional other) | | - | | | | | | | |
| Resistance Tolerance (±%) | 20 | | - | | | | | | | |
| Electrical Connection | DIN 43650-C socket or 3 x 0,14 mm ² shielded cable | | | | | | | | | |
| Operating Temperature | -30°C...+100°C | | | | | | | | | |
| IP Protection Class | IP40 | | | | | | | | | |
| Life | 100 million movements | | | | | | | | | |
| Rod Material | Stainless Steel | | | | | | | | | |
| Body Material | Aluminum | | | | | | | | | |

کانون ابزار

تلفن :

021 66 39 39 00

0912 147 3023

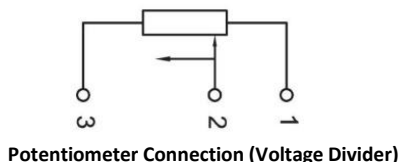
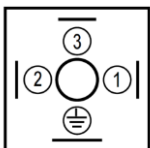
ali5.ir

ELECTRICAL CONNECTION

| SIGNAL | CABLE COLOR | DIN 43650-C SOCKET |
|----------------|-------------|--------------------|
| +VDC | Red | Pin 1 |
| Output Signal* | Yellow | Pin 2 |
| -VDC | Black | Pin 3 |

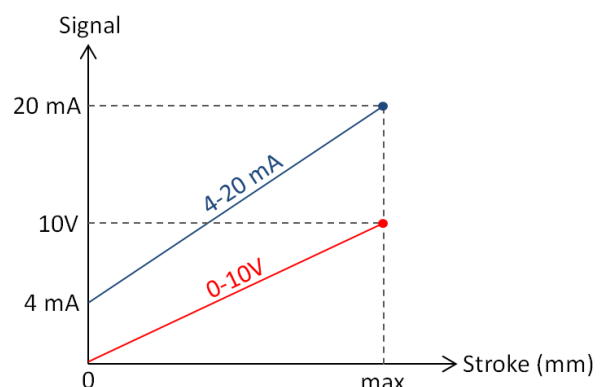
* Output Signal may be potentiometric, 0-10 VDC or 4-20 mA depending on the model (See Product code table).

DIN 43650-C SOCKET



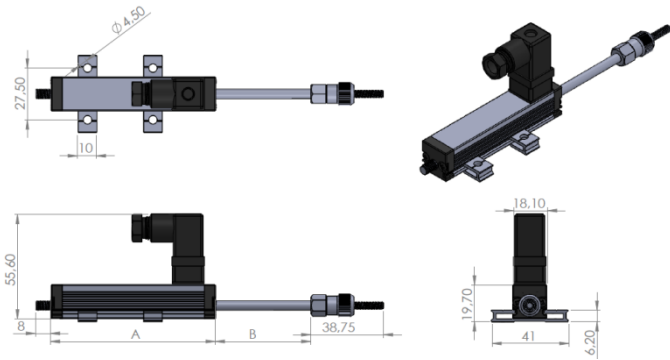
Note: The GND line of the feed and signal output is common. Therefore it can be connected with 3-wire cable

Analog Output Signal Graphic

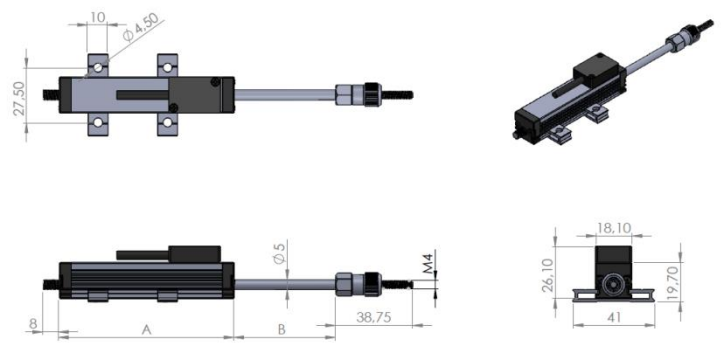


MECHANICAL DIMENSIONS (mm)

MODEL WITH DIN 43650-C SOCKET



MODEL WITH 3 x 0,14 mm² CABLE



| | Stroke (mm) | 10 | 25 | 50 | 75 | 100 | 125 | 150 | 200 | 250 | 300 |
|--|-------------|----|----|-----|-----|-----|-----|-----|-----|-----|-----|
| Potentiometric Output (with cable or socket) | A | 48 | 63 | 88 | 113 | 138 | 163 | 188 | 238 | 288 | 338 |
| | B | 12 | 27 | 52 | 77 | 102 | 127 | 152 | 202 | 252 | 302 |
| 0-10 V or 4-20 mA Output (with cable) | A | 48 | 63 | 88 | 113 | 138 | 163 | 188 | 238 | 288 | 338 |
| | B | 12 | 27 | 52 | 77 | 102 | 127 | 152 | 202 | 252 | 302 |
| 0-10 V or 4-20 mA Output (with socket) | A | 82 | 97 | 122 | 147 | 172 | 197 | 222 | 272 | 322 | 372 |
| | B | 12 | 27 | 52 | 77 | 102 | 127 | 152 | 202 | 252 | 302 |

SAMPLE APPLICATION FIELDS

- Measuring /control technology
- Manufacturing engineering like woodwork machines, riveting machines, packaging machines and welding machines etc.
- Assembly / test devices
- Medical applications
- Building technology

ORDER CODE

Order Code for Analog Output

Model No

| | | | | | | |
|----|---|-----|---|---|---|----|
| LT | - | XXX | - | X | - | XX |
|----|---|-----|---|---|---|----|

Measuring Lengths (stroke)

Different measuring lengths between 10 mm and 300 mm

Output Signal

A: 4-20 mA (*Optional 0-20 mA)
V: 0-10 VDC

Electrical Connection

No Code: DIN43650-C socket
2M: 2 meters cable
(*Optionally different cable lengths)

کانون ابزار

تلفن :

021 66 39 39 00

0912 147 3023

ali5.ir

Order Code for Potentiometric Output

Model No

| | | | | | | |
|----|---|-----|---|-----|---|----|
| LT | - | XXX | - | XXX | - | XX |
|----|---|-----|---|-----|---|----|

Measuring Lengths (stroke)

Different measuring lengths between 10 mm and 300 mm

Resistance Value

5K: 5KΩ
10K: 10KΩ

Electrical Connection

No Code: DIN43650-C socket
2M: 2 meters cable
(*Optionally different cable lengths)

Atek Elektronik Sensör Teknolojileri Sanayi ve Ticaret A.Ş.



Gebze OSB, 800. Sokak, No:814 Gebze/KOCAELİ/TURKEY



Tel: +90 262 673 76 00



Fax: +90 262 673 76 08



www.ateksensor.com



info@ateksensor.com