

Digital Linear Scale

Model No. 5403-500F

Quite the value

فروشگاه کانون ابزار

ali5.ir

021 66 39 39 00 - 0912 147 30 23

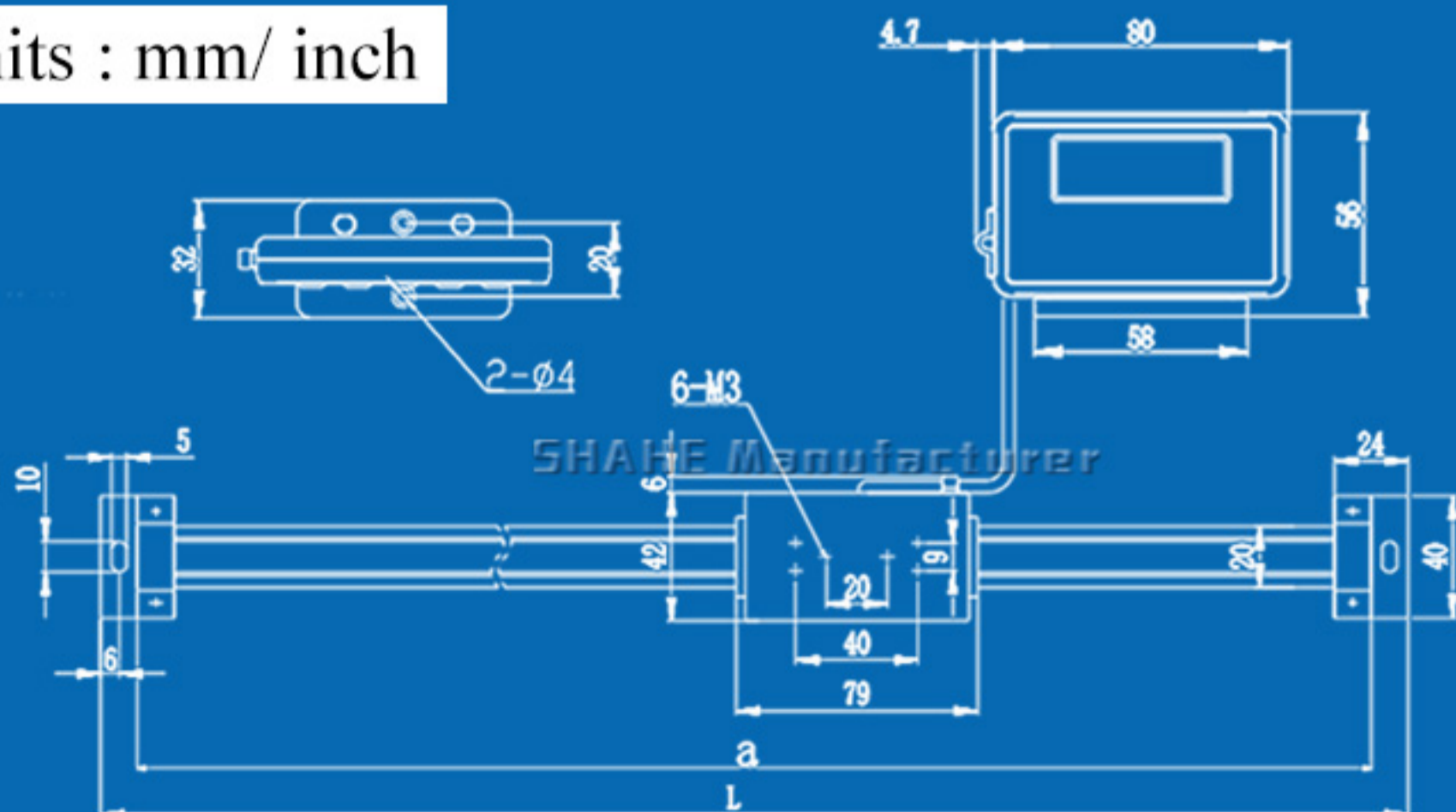


SHAHE Manufacturer

Tehnickal Data

Model number	Measuring range (mm)	Resolution (mm/inch)	Accuracy (mm)	a(mm)	L(mm)
5403-150F	0-150	0.01/0.0005"	±0.06/±0.0025	267	291
5403-200F	0-200	0.01/0.0005"	±0.08/±0.0035	310	334
5403-300F	0-300	0.01/0.0005"	±0.10/±0.004	410	434
5403-500F	0-500	0.01/0.0005"	±0.15/±0.006	612	636
5403-600F	0-600	0.01/0.0005"	±0.15/±0.006	725	749
5403-1000F	0-1000	0.01/0.0005"	±0.2/±0.008	1124	1148

Units : mm/ inch



Simple and effective! It is used to be equipped together with various industry lathes and upgrade old lathe

01

Light weight

02

stable measurements

Light weight and durable



03

price is very good in accordance with the quality

04

Large crystal LCD display.

Measurement of the new world



فروشگاه کانون ابزار
ali5.ir

021 66 39 39 00 - 0912 147 30 23

Positive feedback

- A4 AliExpress Shopper** ★★★★★
物流 China Post Registered Air Mail
High quality item that will be usefull on my machines.
17 Sep 2016 02:13
- A2 AliExpress Shopper** ★★★★★
物流 China Post Registered Air Mail
Very well packed, prompt delivery
22 Jun 2016 10:48
- A2 D***o P.** ★★★★★
物流 AliExpress Standard Shipping
Линейки пришли. Отличная упаковка. Продавец отдельным письмом предупредил, что в комплекте не будет батареек, за что отдельное спасибо. Работают отлично, правда на станок еще не ставил. Точность измерения, насколько получилось сравнить с цифровым штангенциркулем, соответствует заявленной.
04 Dec 2016 00:11
- A3 AliExpress Shopper** ★★★★★
物流 China Post Registered Air Mail (中国邮政挂号小包)
Отличная линейка.
26 Sep 2016 11:15
- A3 N***n F.** ★★★★★
物流 ePacket
Great item. I'm very happy with them and recommend this item. I got them for a small milling machine and they are perfect for it. They read accurately and the ABS, zero and set functions work perfectly. The inch reading has a nice feature with the display of imperial fractions shown after the measurement. The seller done a top job with the postage as it was well packaged.
26 Sep 2016 11:15



SHAHE Manufacturer



Aluminum alloy material

Storage batteries in

Product introduction



Vertical & Horizontal Beam
2-in-1 for Router lift, Router
table, Planer & Table Saw

Quick measure speed at
120" per second



remote readout display
convenient for
reading and operation

Large crystal LCD display



3V CR2032 environmental
Lithium battery

Magnetic & Clamp hardware on remote readout



SHAHE Manufacturer



Magnetic & Clamp hardware on remote readout

It is used to be equipped together with various industry lathes and upgrade old lathe



It is used to be equipped together with various industry lathes and upgrade old lathe



Application field



table saw



radial arm saw



Edge knife sharpening system



old lathe

ABOUT US

Since its foundation in 2002, Wenzhou Sanhe Measuring Instrument Co., Ltd., (Former name, Chengdu Sanhe Measuring Instrument Co., Ltd.) has been engaged in R&D, manufacture and sales of many different measuring tools. We have 5 production bases and more than 300 employees. SHAHE has passed ISO9001 Quality Management System Certification because of its good service and high quality.

Wenzhou Weidu Electronics Co., Ltd is one of our production line.

The main products of SHAHE are digital caliper, angle measuring tools, hardness tester, concentricity gauge, digital indicator, thickness gauge etc. Nice exterior, reassuring quality and cost effective are always what we pursue. Our products sell well in all over China and in the international market of the Southeast Asia, European and American Countries etc. SHAHE has obtained customers' trusts and good reputation.


Insisting on honesty to customers, mutual benefit to market, innovation and surpassing itself, SHAHE will achieve the future with its high quality.


Contact us


فروشگاه کانون ابزار
ali5.ir

021 66393900 - 0912 1473023

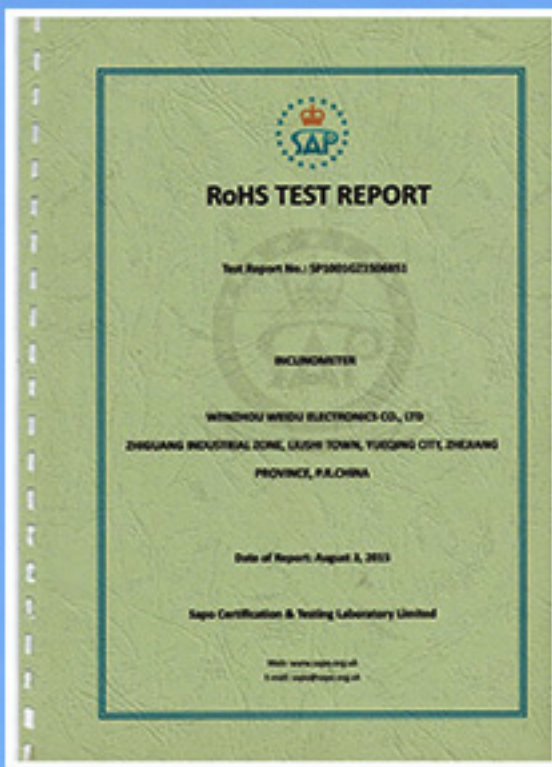
 Sulv industrial zone, Liushi town, Yueqing, Wenzhou, Zhejiang province, China 325604

 0086-577-57151590

 shahe@shahemeasuring.com

 0086-577-57151067





We attend different exhibitions every year

